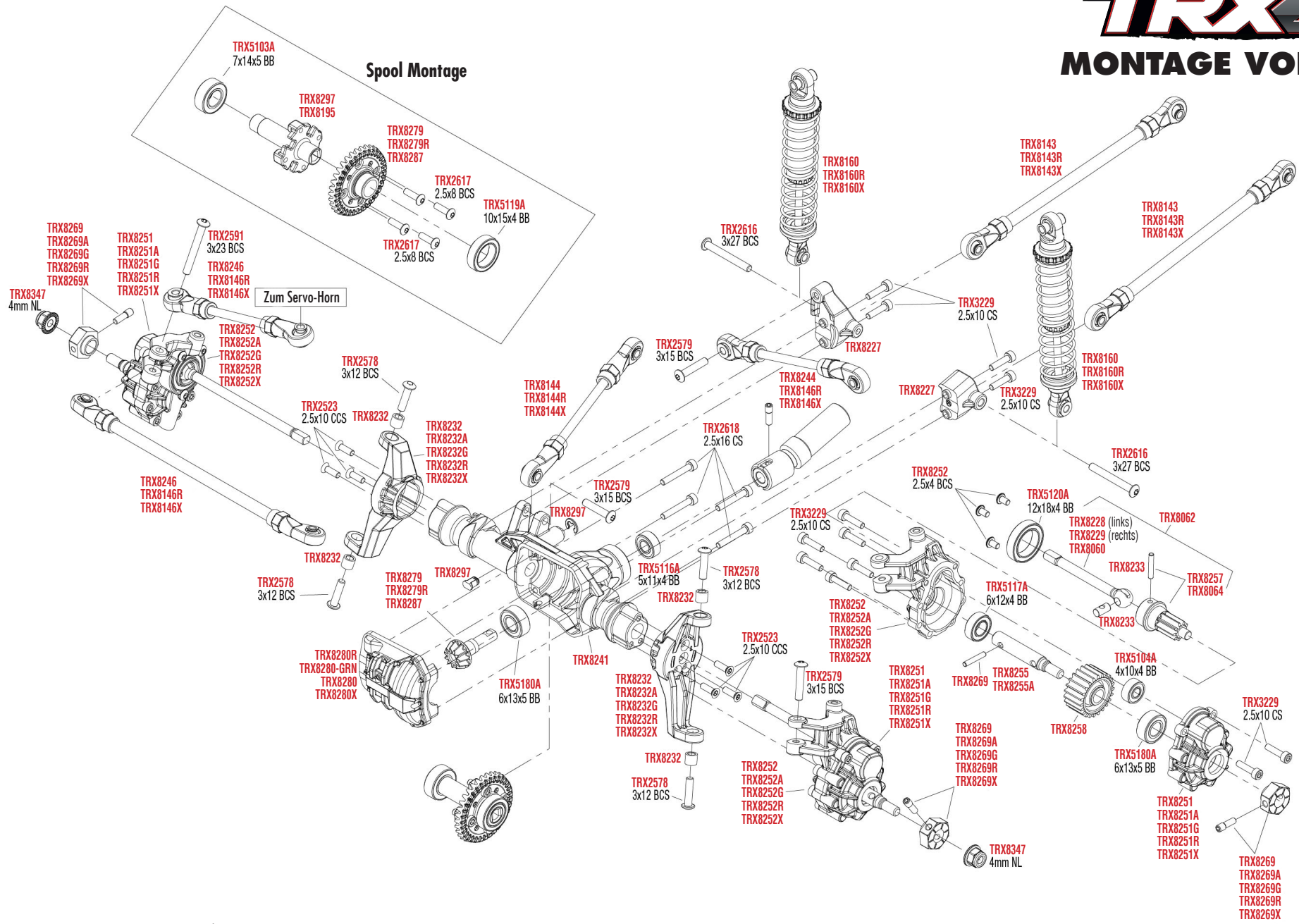


TRX4

MONTAGE VORNE

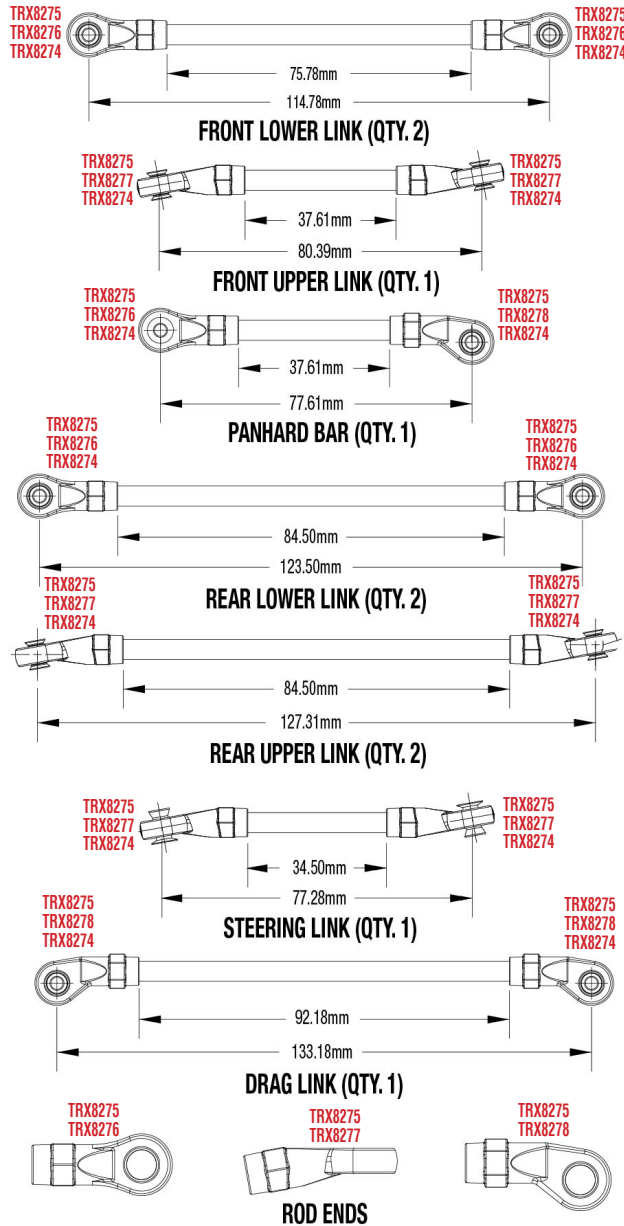


See Parts List for a complete listing of optional accessories.

Specifications on this page are subject to change without notice. Every attempt has been made to ensure the accuracy of this drawing; however, Traxxas cannot be held responsible for typographical or other errors.

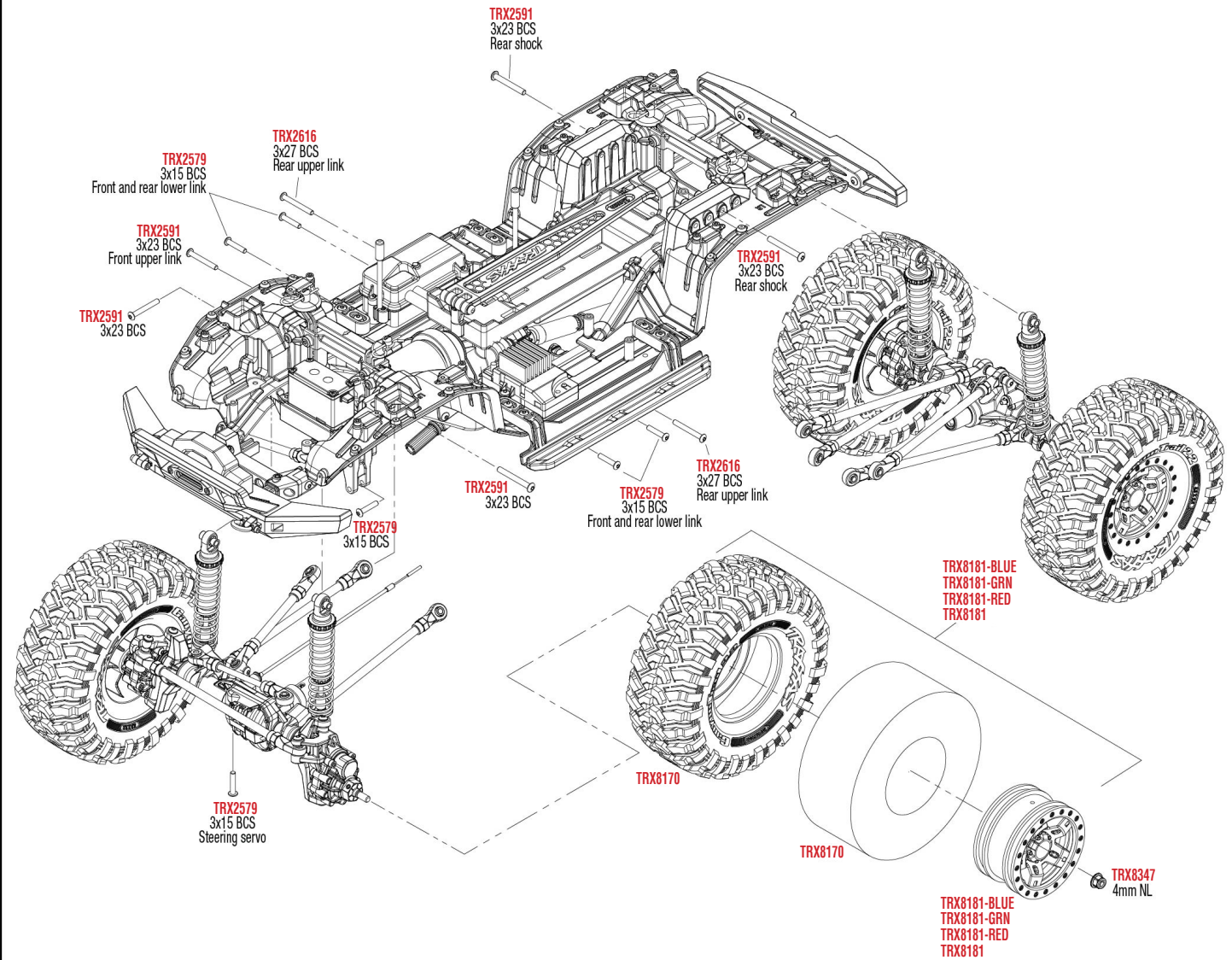
REV 230223-R00

Link Abmessungen



Für Standard Kugeln Ersatz verwenden Sie bitte ArtNr. TRX5349.

MODULARE MONTAGE



See Parts List for a complete listing of optional accessories.

REV 230223-R00
 Specifications on this page are subject to change without notice. Every attempt has been made to ensure the accuracy of this drawing; however, Traxxas cannot be held responsible for typographical or other errors.

MONTAGE EXPEDITION RACK

