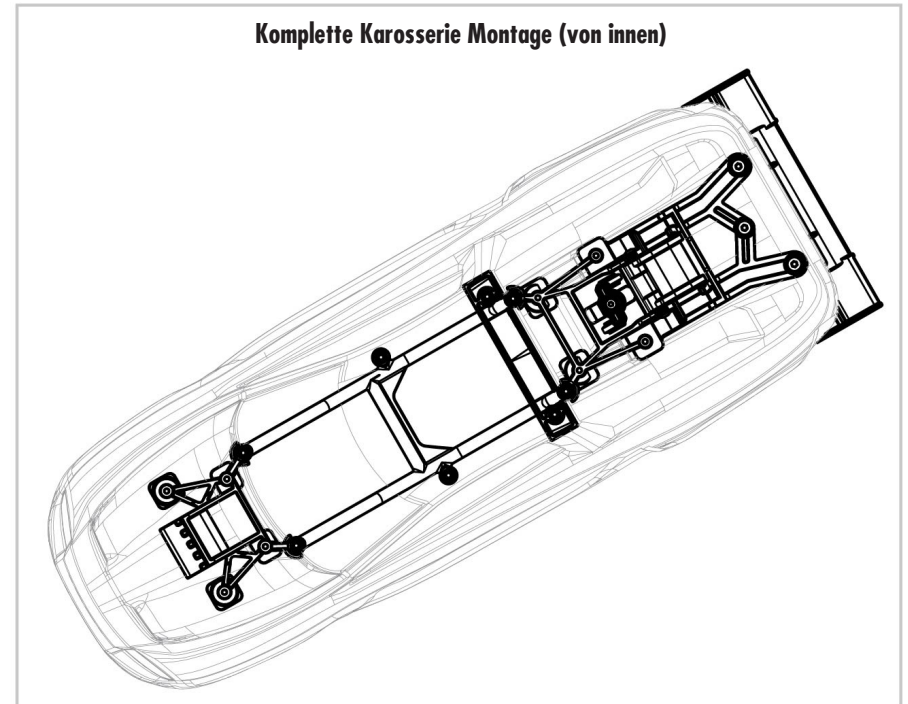
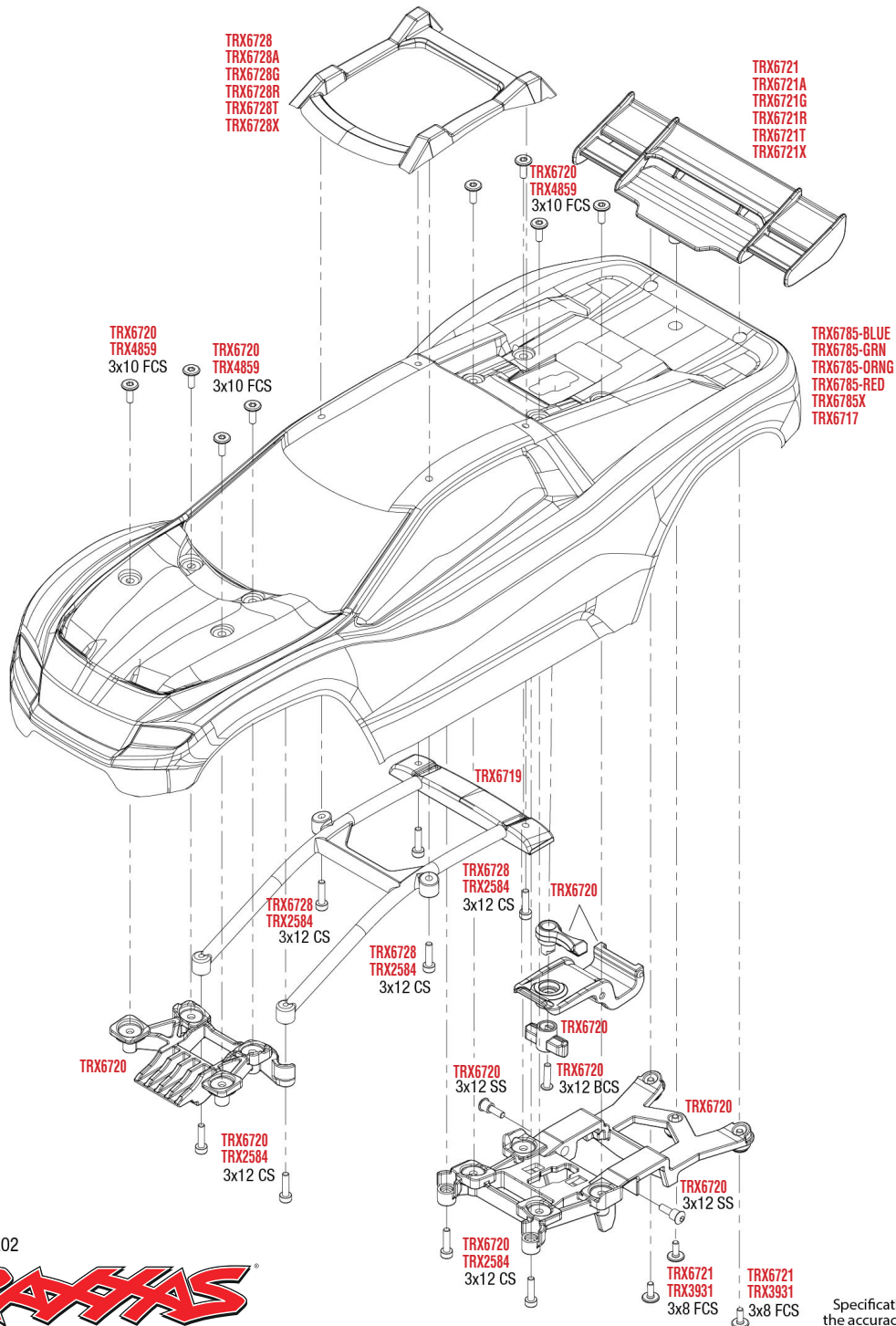


KAROSSERIE MONTAGE

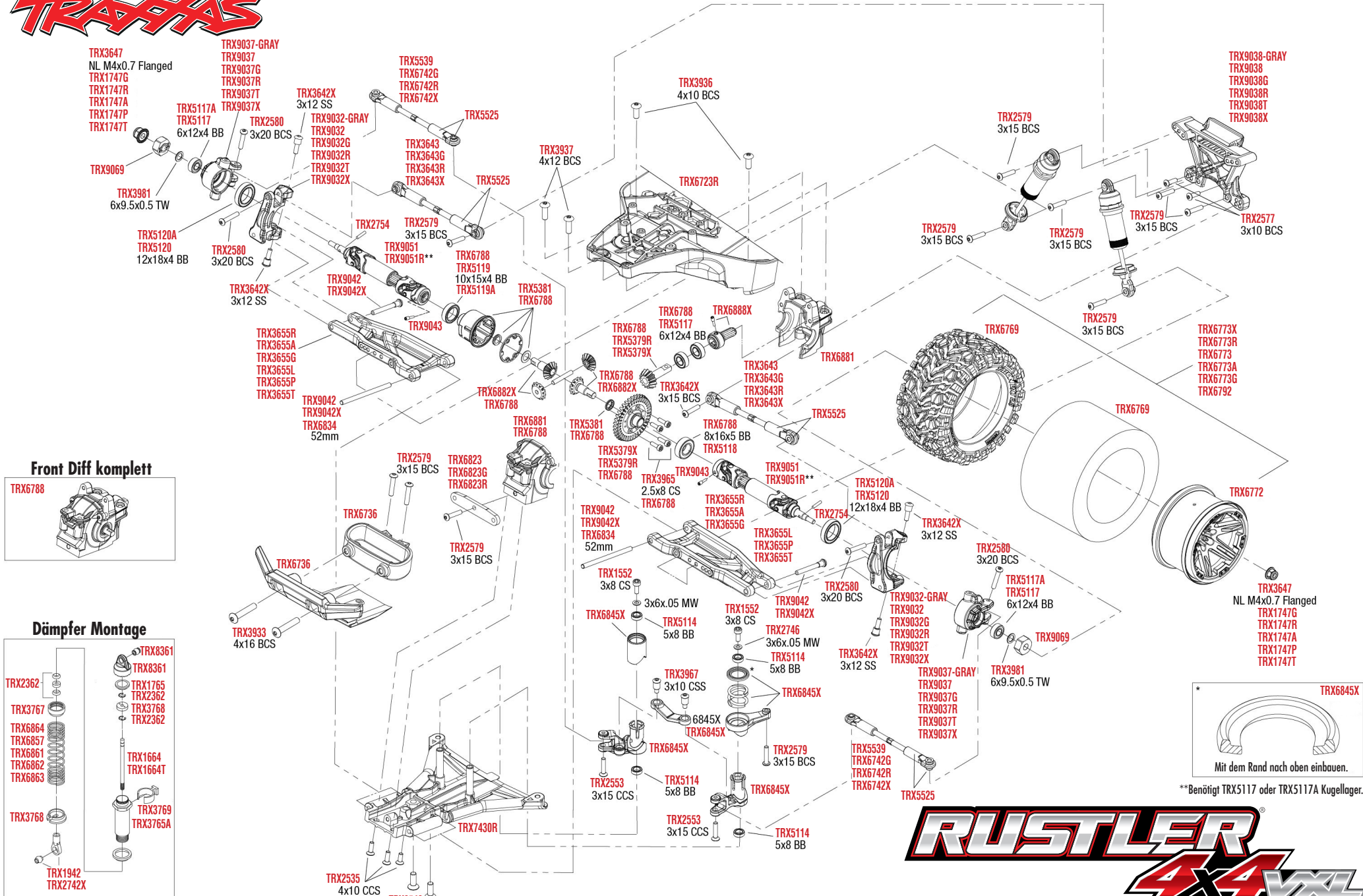


REV 240129-R02



Specifications on this page are subject to change without notice. Every attempt has been made to ensure the accuracy of this drawing; however, Traxxas cannot be held responsible for typographical or other errors.

See Parts List for a complete listing of optional accessories.



Front Diff komplett

TRX6788

Dämpfer Montage

TRX8361

TRX2362

TRX3767

TRX6864

TRX6857

TRX6861

TRX6862

TRX6863

TRX1765

TRX2362

TRX3768

TRX2362

TRX1664

TRX1664T

TRX3769

TRX3765A

TRX1942

TRX2742X

TRX6845X

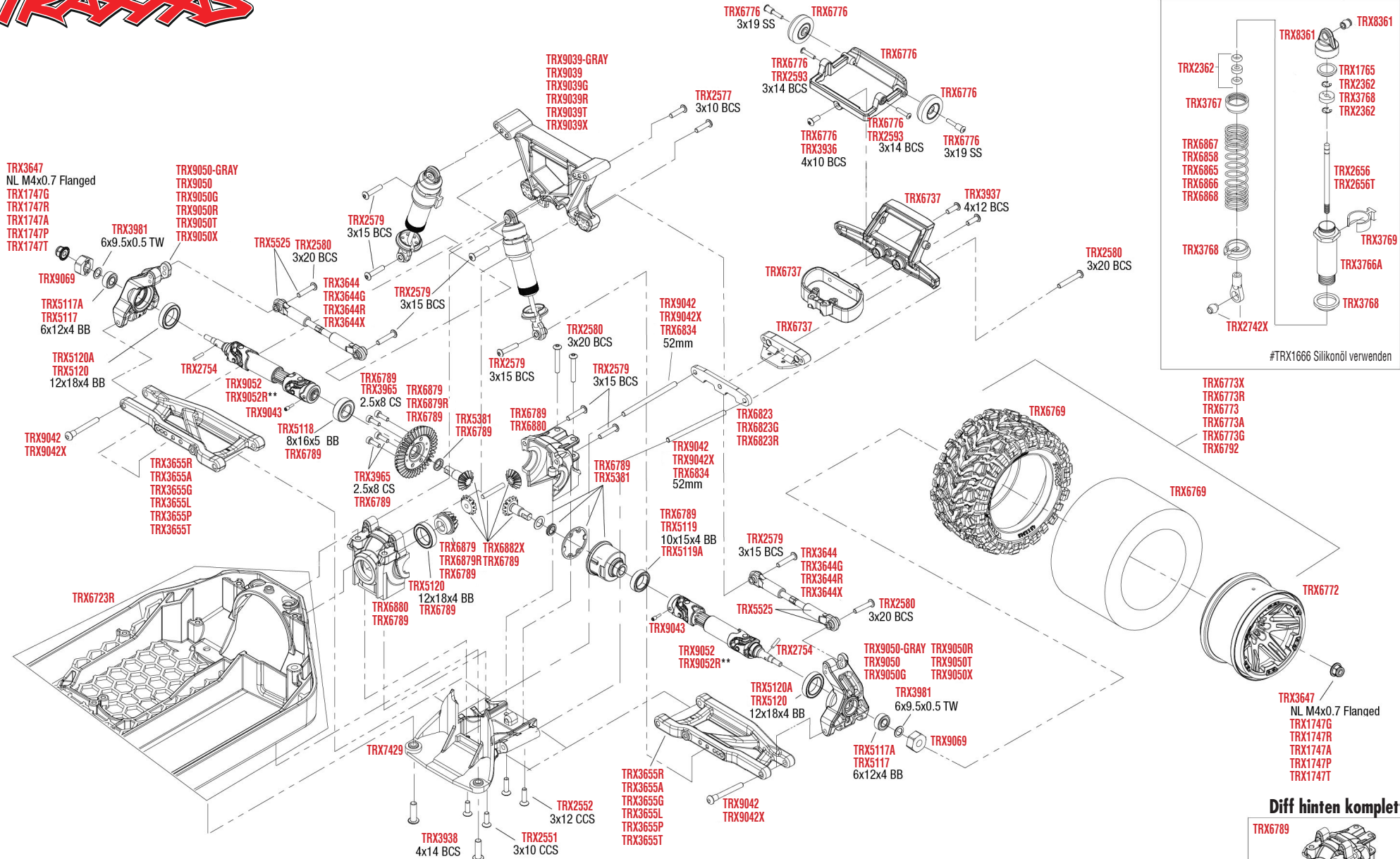
Mit dem Rand nach oben einbauen.

****Benötigt TRX5117 oder TRX5117A Kugellager.**

REV 240129-R02
See Parts List for a complete listing of optional accessories.

Specifications on this page are subject to change without notice. Every attempt has been made to ensure the accuracy of this drawing; however, Traxxas cannot be held responsible for typographical or other errors.

RUSTLER
4x4 VXL
BRUSHLESS
MONTAGE VORNE



RUSTLER 4x4 VXL MONTAGE HINTEN

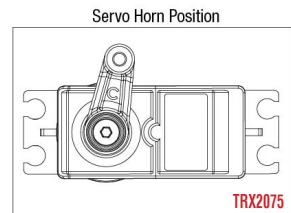
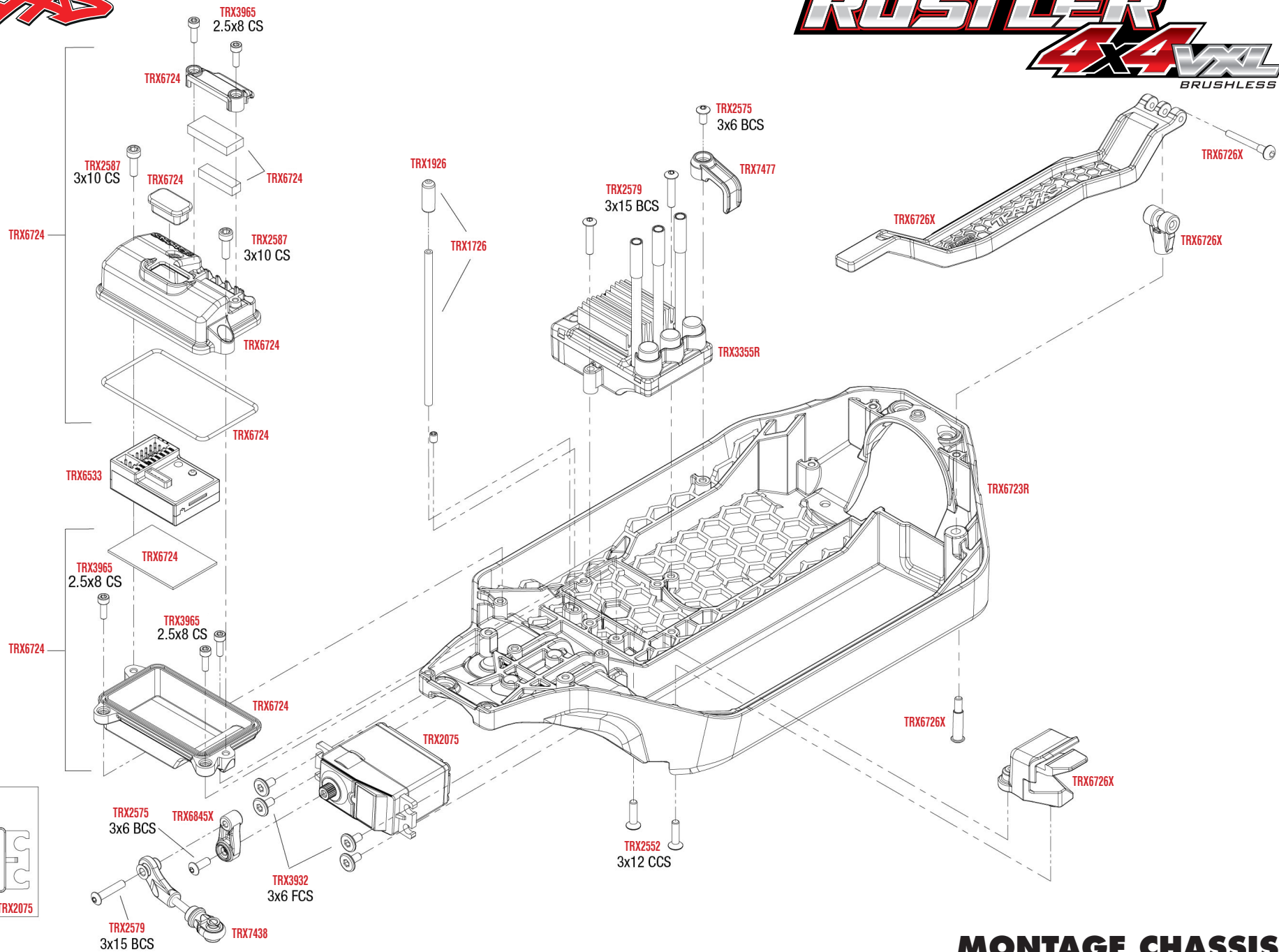
BRUSHLESS

See Parts List for a complete listing of optional accessories.

Specifications on this page are subject to change without notice. Every attempt has been made to ensure the accuracy of this drawing; however, Traxxas cannot be held responsible for typographical or other errors.

**Benötigt TRX5117 oder TRX5117A Kugellager.

REV 240129-R02

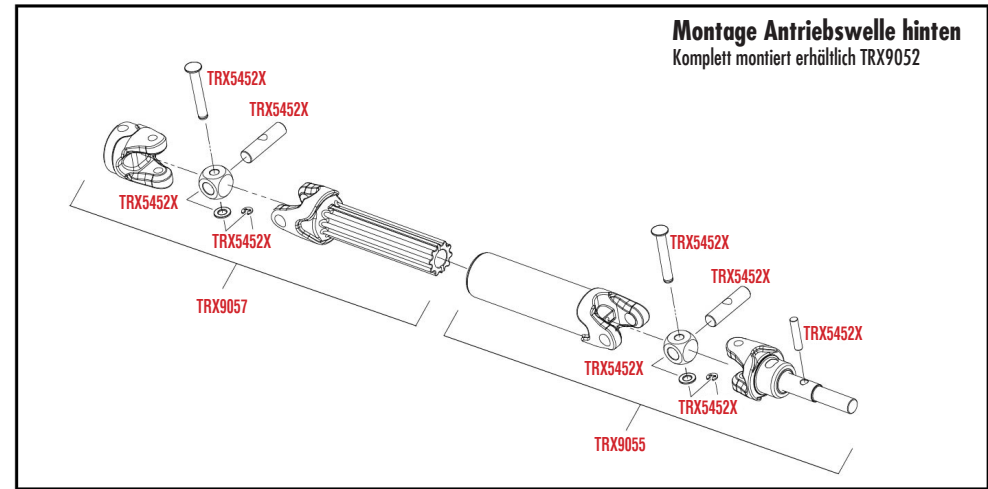
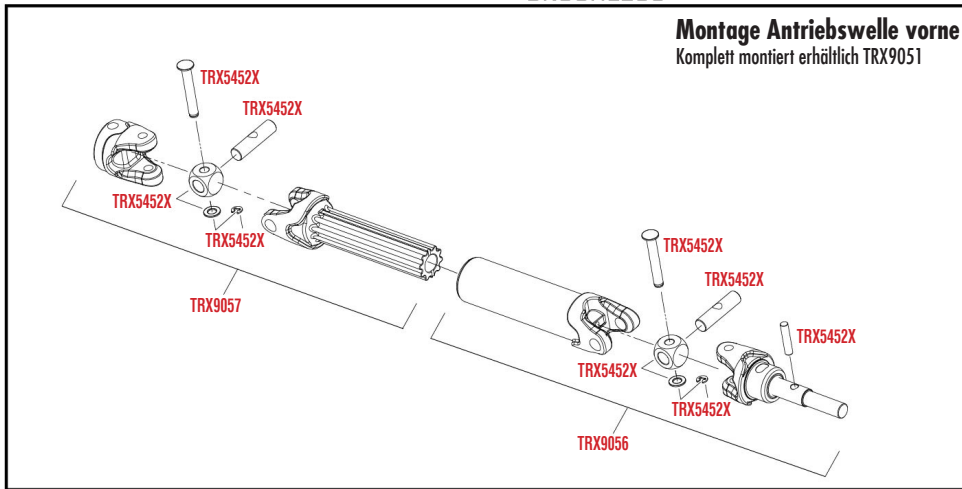


Specifications on this page are subject to change without notice. Every attempt has been made to ensure the accuracy of this drawing; however, Traxxas cannot be held responsible for typographical or other errors.

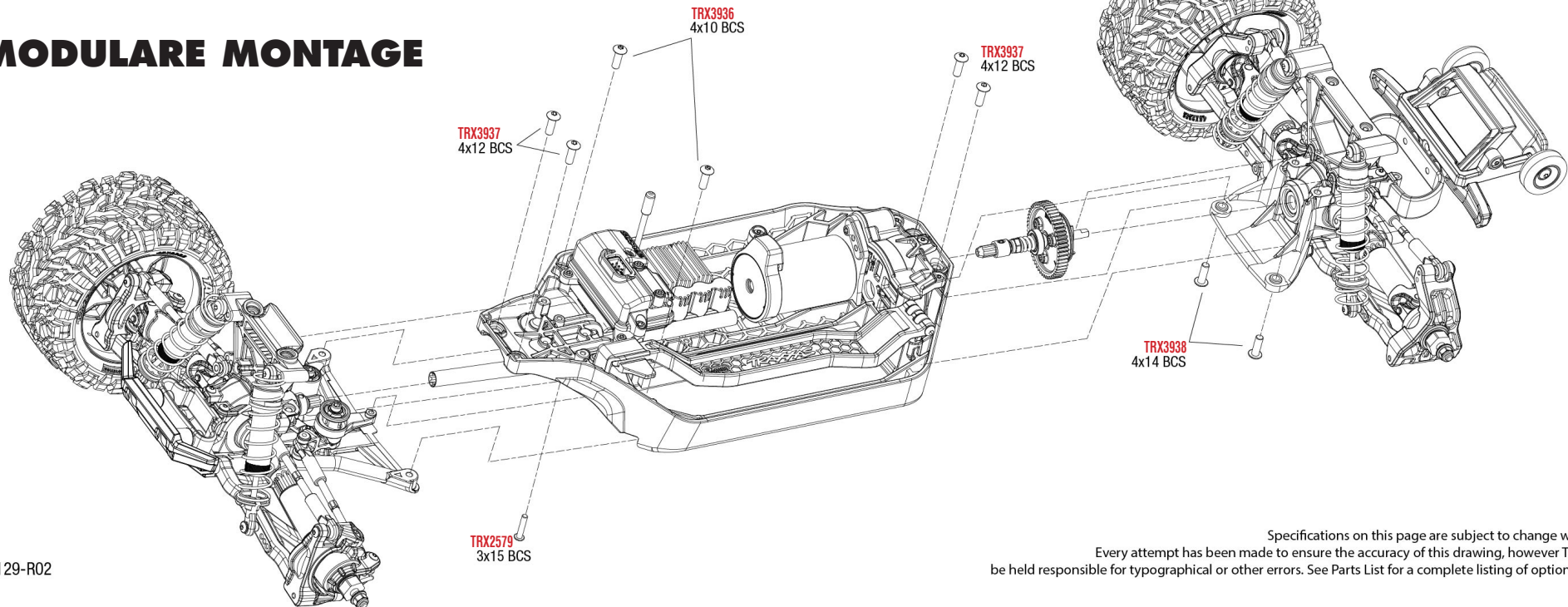
See Parts List for a complete listing of optional accessories.

MONTAGE CHASSIS

REV 240129-R02

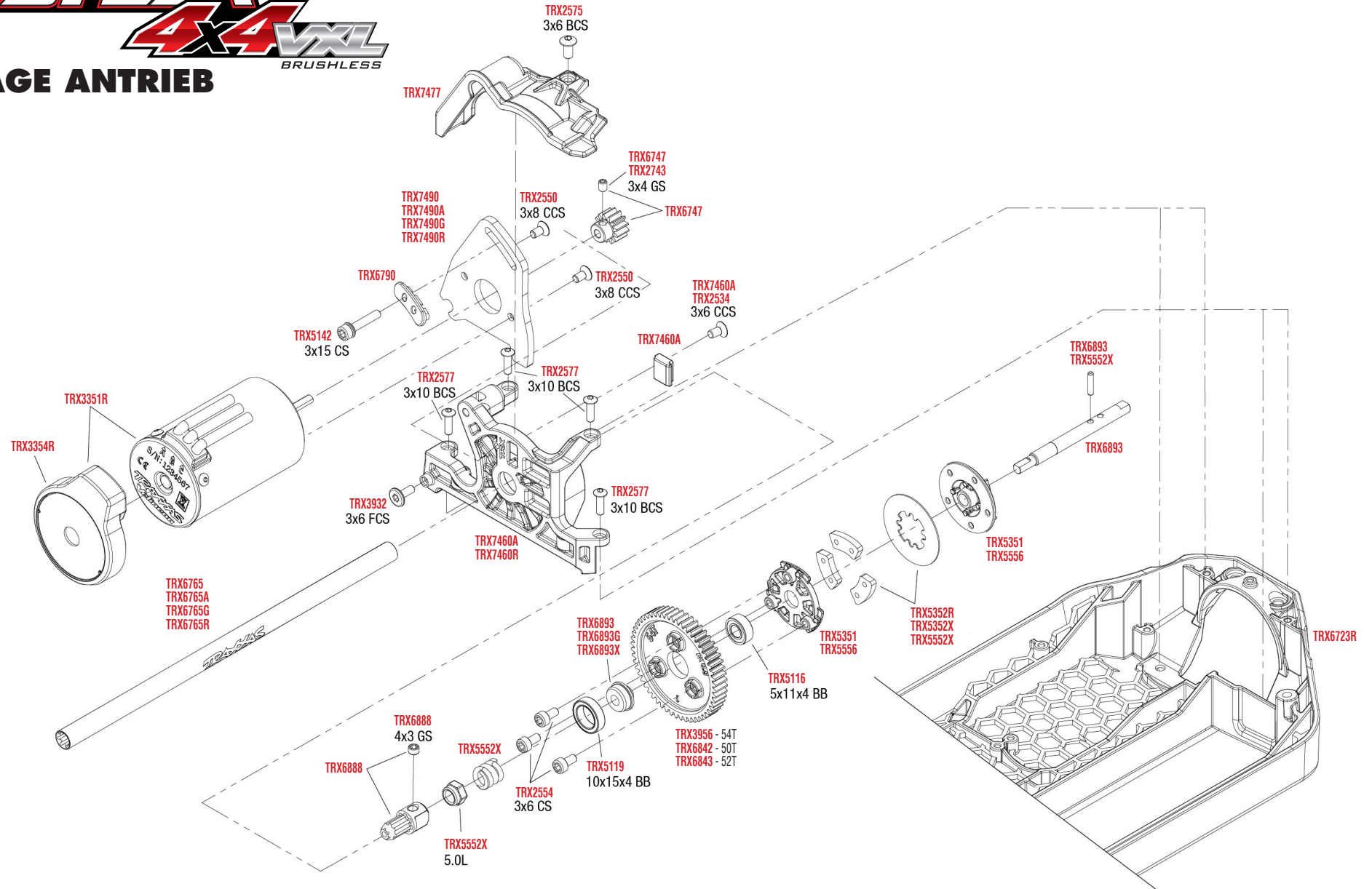


MODULARE MONTAGE



RUSTLER[®] 4x4 VXL BRUSHLESS

MONTAGE ANTRIEB



See Parts List for a complete listing of optional accessories.

REV 240129-R02
Specifications on this page are subject to change without notice. Every attempt has been made to ensure the accuracy of this drawing; however, Traxxas cannot be held responsible for typographical or other errors.