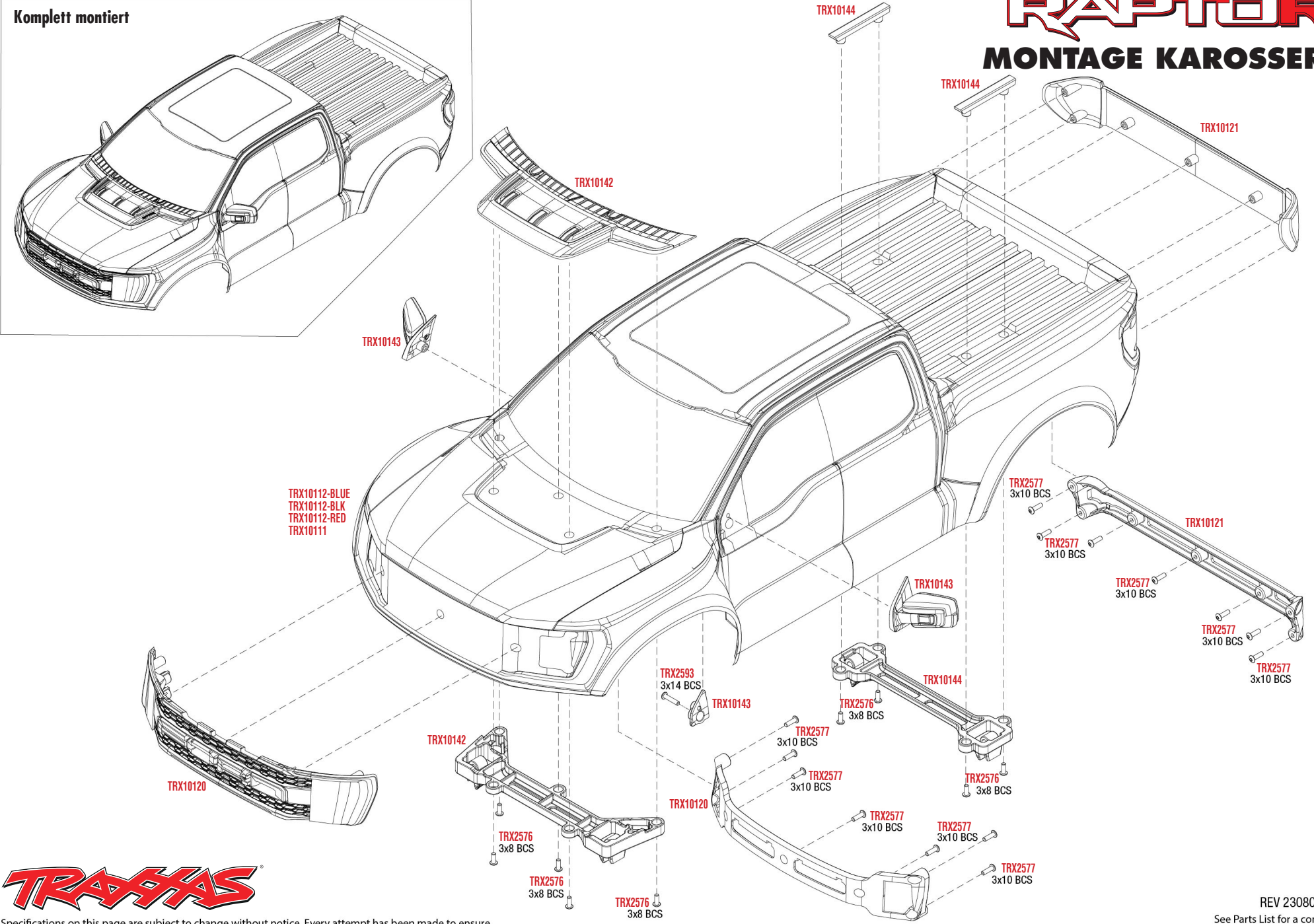


Komplett montiert

# RAPTOR

## MONTAGE KAROSSERIE



TRX10112-BLUE  
TRX10112-BLK  
TRX10112-RED  
TRX10111

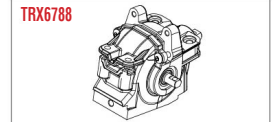


Specifications on this page are subject to change without notice. Every attempt has been made to ensure the accuracy of this drawing; however, Traxxas cannot be held responsible for typographical or other errors.

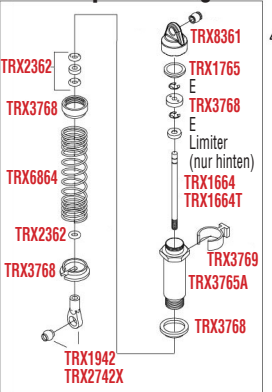
REV 230804-R05  
See Parts List for a complete listing of optional accessories.



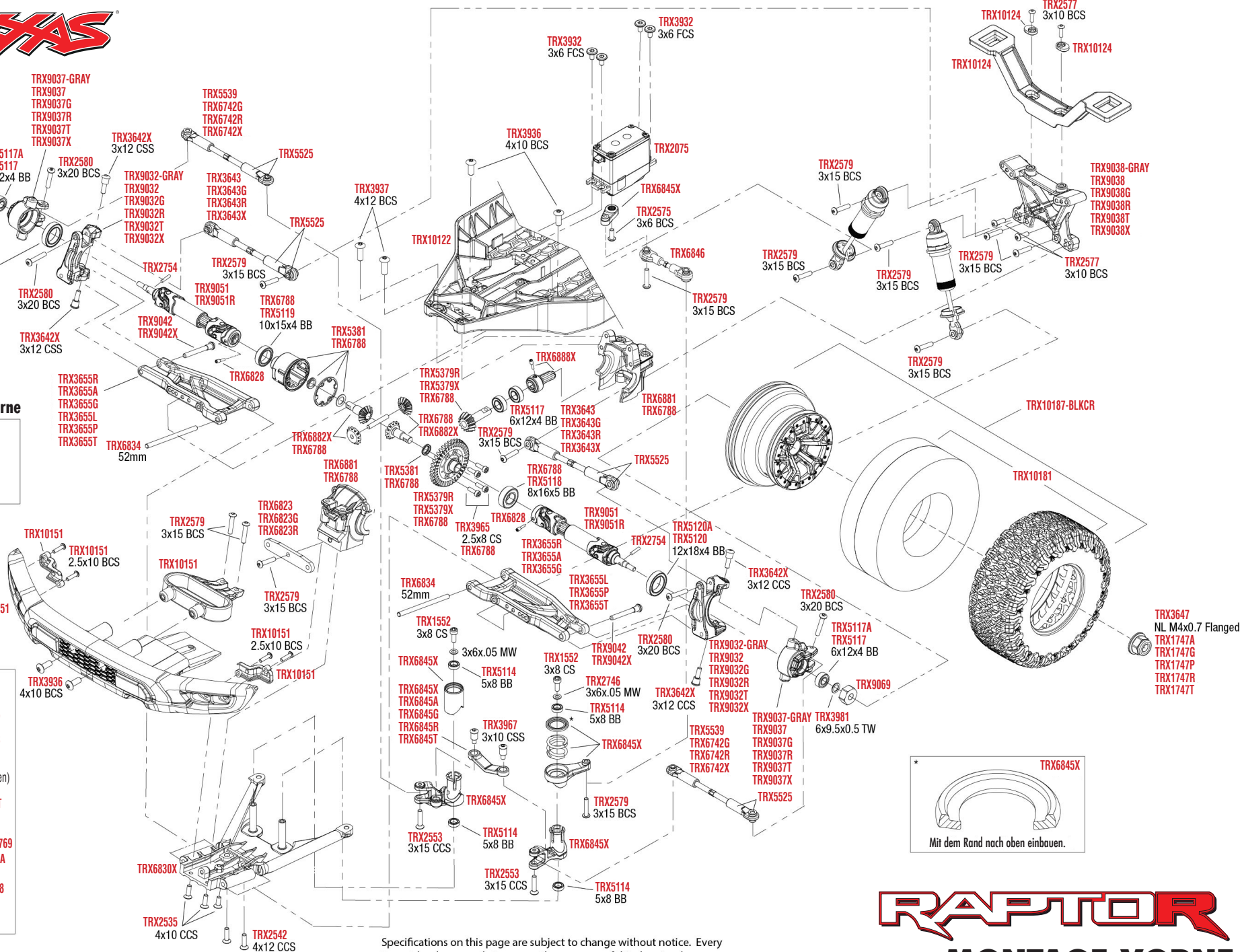
### Differential Montage vorne



### Dämpfer Montage



REV 230804-R05  
See Parts List for a complete listing of optional accessories.



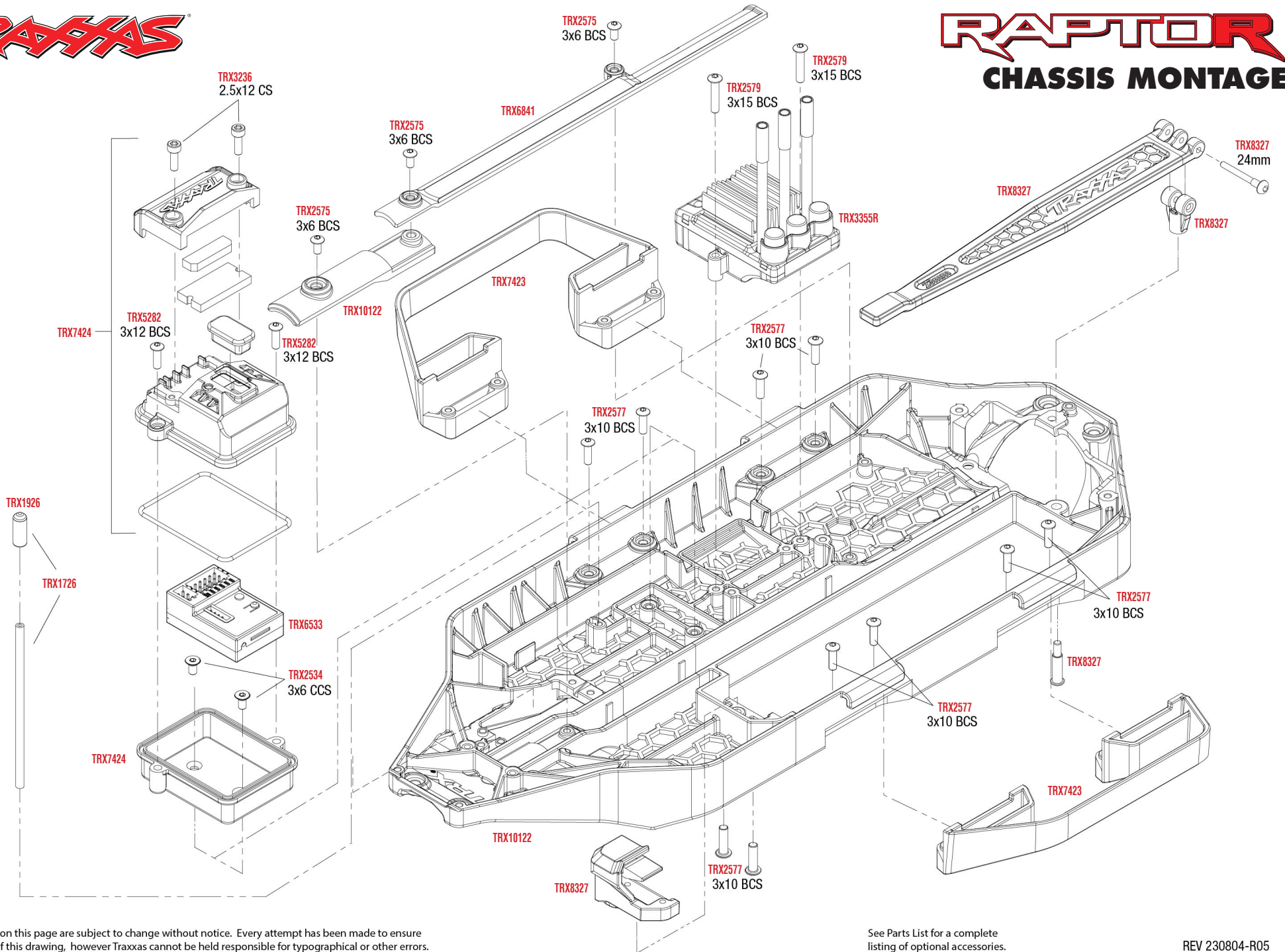
Specifications on this page are subject to change without notice. Every attempt has been made to ensure the accuracy of this drawing, however Traxxas cannot be held responsible for typographical or other errors.





# RAPTOR

## CHASSIS MONTAGE



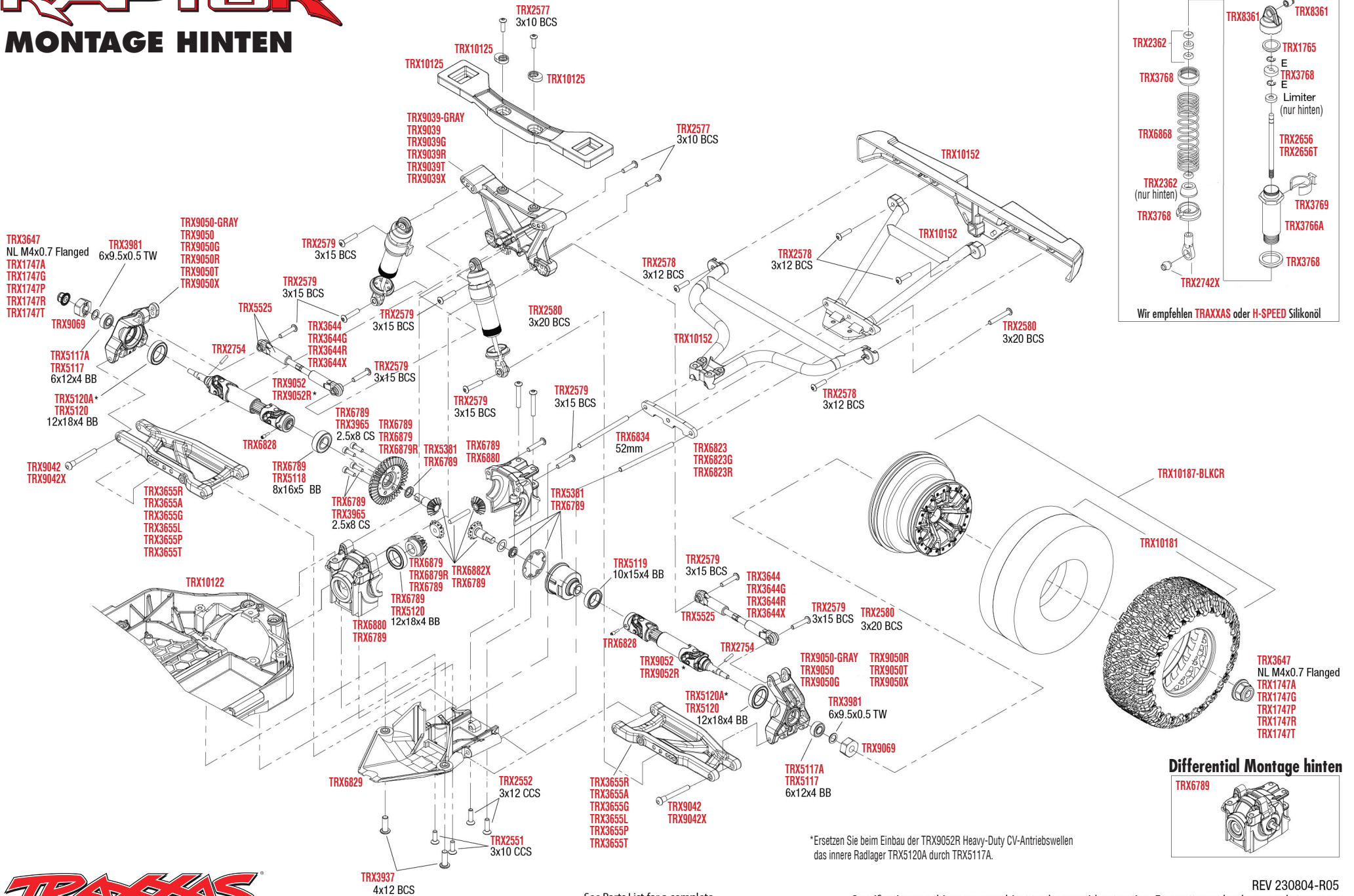
Specifications on this page are subject to change without notice. Every attempt has been made to ensure the accuracy of this drawing, however Traxxas cannot be held responsible for typographical or other errors.

See Parts List for a complete listing of optional accessories.

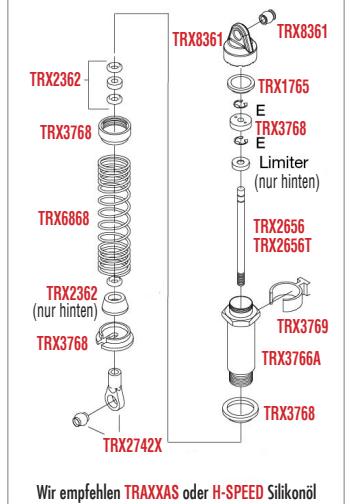
REV 230804-R05

# RAPTOR

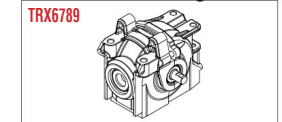
## MONTAGE HINTEN



### Dämpfer Montage



### Differential Montage hinten



\*Ersetzen Sie beim Einbau der TRX9052R Heavy-Duty CV-Antriebswellen das innere Radlager TRX5120A durch TRX5117A.



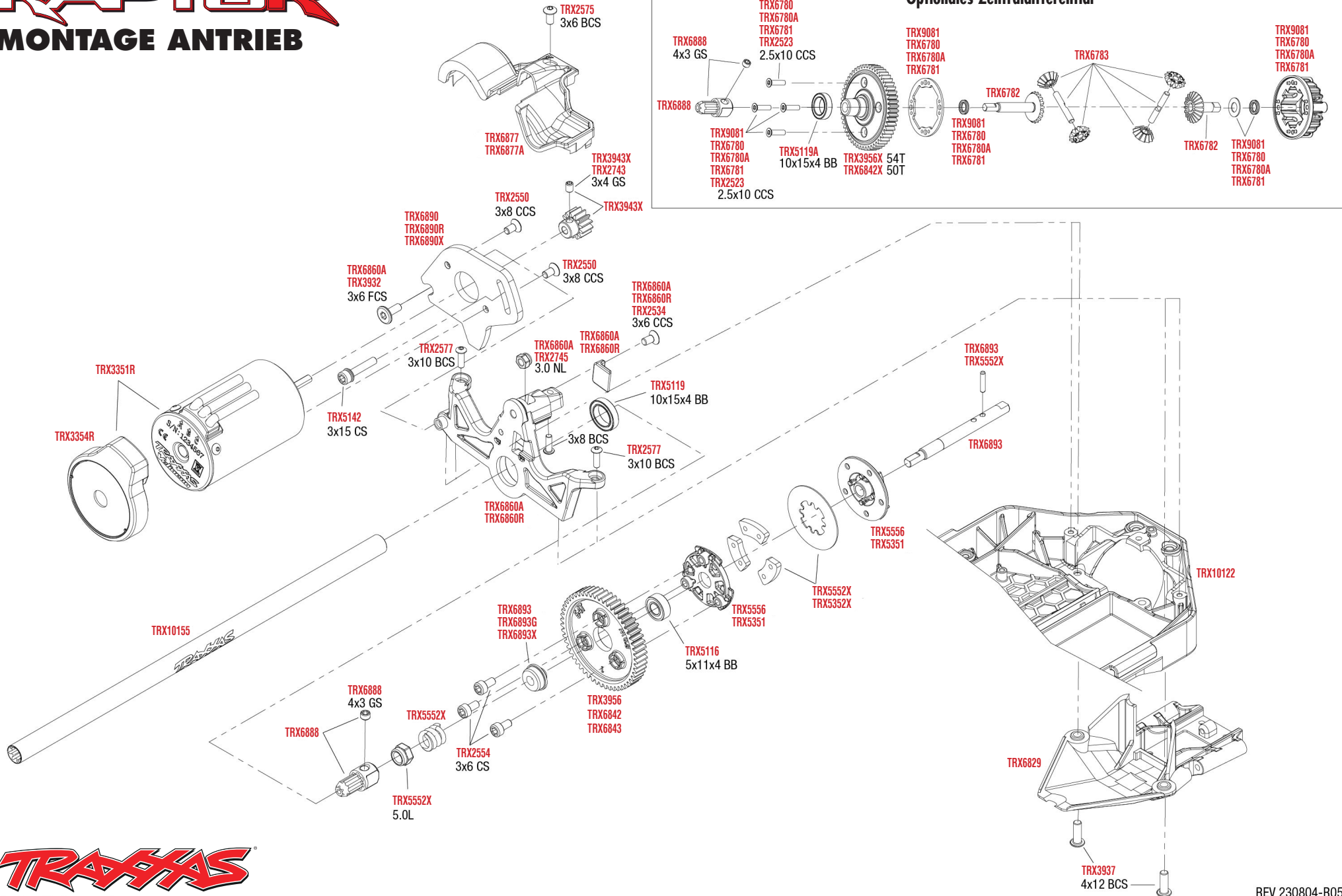
See Parts List for a complete listing of optional accessories.

Specifications on this page are subject to change without notice. Every attempt has been made to ensure the accuracy of this drawing, however Traxxas cannot be held responsible for typographical or other errors.

REV 230804-R05

# RAPTOR

## MONTAGE ANTRIEB

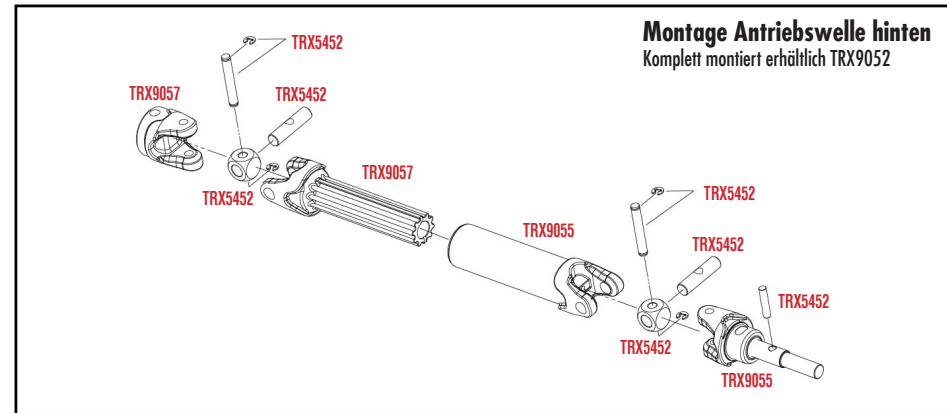
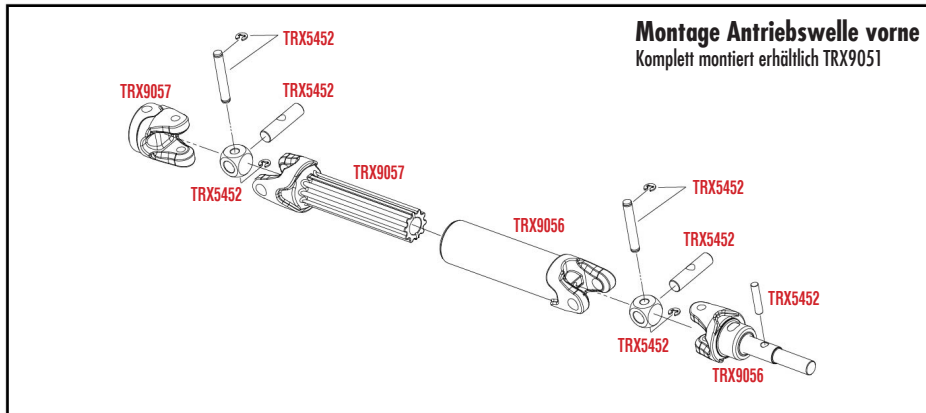


See Parts List for a complete listing of optional accessories.

Specifications on this page are subject to change without notice. Every attempt has been made to ensure the accuracy of this drawing, however Traxxas cannot be held responsible for typographical or other errors.

REV 230804-R05

# ANTRIEBSWELLEN



# MODULARE MONTAGE

