

# ENGEL

E SERIES MODELS

**SRT-5108E-G4**

**ST90E-G3**

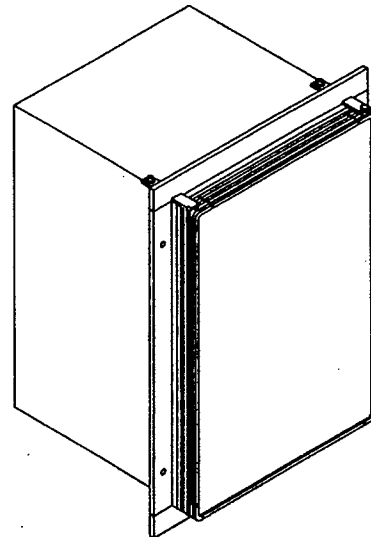
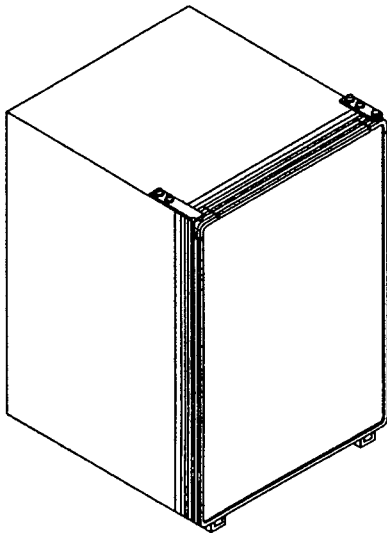
**SRBT-5108E-G4**

**SR90E-G3**

**SR90E-G3-SA**

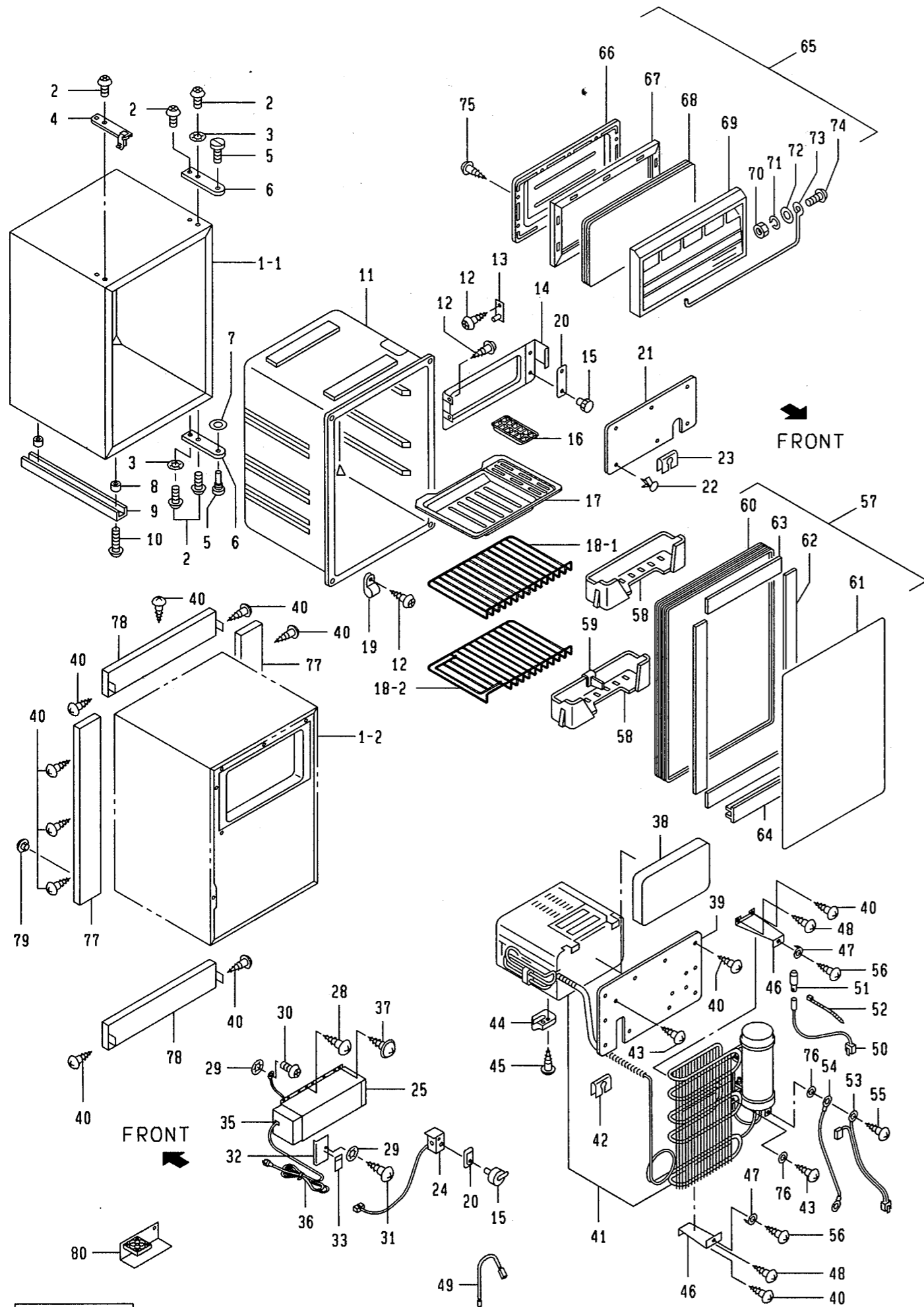
---

## PARTS LIST



SERVICE CODE : QP - 01

**SAWAFUJI ELECTRIC CO., LTD.**



SRT-5108E-G4-1

Illustration Number	Parts Number	Description	Quantity Per one set
①-1	1609 282 00	Cabinet (SRT-5108, ST90)	1
①-1	1600 283 00	Cabinet (SRBT-5108, SR90)	1
②	8050 050 104	Screw	6
③	8340 050 001	Toothed Lock Washer	2
④	1609 243 00	Holder Assembly	1
⑤	5055 023 30	Hinge Pin	2
⑥	3041 110 00	Plate (Hinge)	2
⑦	5030 019 001	Washer	1
⑧	4120 008 00	Cushion (SRT-5108, ST90)	4
⑨	3223 019 00	Support (SRT-5108, ST90 and E)	2
⑩	8010 060 401	Screw (SRT-51088, ST90 and E)	4
⑪	1609 240 00	Inner Case Assembly	1
⑫	8083 044 122	Tapping Screw	8
⑬	1609 048 00	Inner Hinge (for Evaporator)	2
⑭	4226 001 20	Evaporator Frame	1
⑮	1602 067 00	Dial Assembly	1
⑯	1602 030 00	Ice Cube Tray	2
⑰	4330 005 00	Drainage Pan	1
⑱-1	5230 012 10	Shelf	1
⑱-2	5230 012 20	Shelf	1
⑲	6451 039 50	Holder	2
20	5450 747 00	Mark	1
21	4303 070 00	"I" Plate	1
22	6451 005 10	Fastener	6
23	4160 042 00	Bushing	1
24	1601 140 20 × 9	Temperature Control Assembly	1
25-1	1601 139 40 × 9	Power Supply (G4)	1
25-2	1601 139 30 × 9	Power Supply (G3, SA)	1
28	8083 044 121	Tapping Screw	5
29	8340 040 00	Toothed Lock Washer	3
30	8000 040 121	Screw	1
31	8084 043 081	Tapping Screw	1
32	3221 191 00	Cover	1
33	5460 048 30	Caution Plate	1
35	6016 001 10	Grommet	1
36-1	1912 116 51	Cord Assembly (G4)	1
36-2	1912 266 00	Cord Assembly (G3, SA)	1
37	8073 044 121	Tapping Screw with Toothed Lock Washer	2
38	4390 103 00	Heat Insulator	1
39	1612 127 00	Plate Blind	1
40	8083 044 121	Tapping Screw	22
41-1	1610 080 10	Cooling Unit (G4, SA)	1
41-2	1610 080 30	Cooling Unit (G3)	1

○ : These parts are interchangeable with D series.

SRT-5108E-G4-1

Illustration Number	Parts Number	Description	Quantity Per one set
42	4160 042 00	Bushing	1
43	8073 044 121	Tapping Screw	10
44	4223 050 00	Thermistor Holder	1
45	8080 043 082	Tapping Screw	1
46	3211 059 00	Holder	2
47	3220 053 10	Holder	1
48	8073 044 124	Tapping Screw	2
49	6055 054 00 × 9	Evaporator Thermistor	2
53	1902 647 10	Coupler Assembly	1
54	1921 166 05	Cord with Terminal	1
55	8084 043 081	Tapping Screw	1
56	8071 043 163	Tapping Screw	2
57-1	1600 279 00	Door Assembly (Teak) (without Door Pocket)	1
57-2	1600 279 30	Door Assembly (Gray) (without Door Pocket)	1
58	4225 089 00	Door Pocket	2
59	4225 086 00	Partition	1
60	1609 239 01	Frame Assembly	1
61	3023 117 00	"S" Plate (Teak)	1
62	4120 066 90	Cushion	2
63	4120 066 80	Cushion	2
64	4276 027 21	Bottom Frame	1
65	1600 038 20	Evaporator Door Assembly (Black)	1
66	4331 010 00	Inner Door Plate	1
67	4148 007 00	Inner Door Gasket	1
68	4390 048 00	Heat Insulator	1
69	4225 006 20	Inner Door	1
70	8260 041 009	Nut	1
71	8320 042 001	Spring Washer	1
72	8300 041 009	Washer	2
73	5206 002 00	Torsion Bar	1
74	8000 040 124	Screw	1
75	8083 034 062	Tapping Screw	10
76	8340 040 001	Toothed Lock Washer	2
77	3230 090 00	Frame (SRBT-5108, SR90)	2
78	3230 091 00	Frame (SRBT-5108, SR90 and E)	2
79	4221 015 10	Cap (SRBT-5108, SR90 and E)	4
80-1	1609 306 20 × 9	Fan Assembly (SRBT-5108E-G4, SR90E-G3-SA)	1
80-2	1609 306 00 × 0	Fan Assembly (SRT-5108E-G4)	1

○ : These parts are interchangeable with D series.

SRT-5108E-G4-1



**SAWAFUJI ELECTRIC CO., LTD.**  
 KYOEI BUILDING 6-15-14,  
 TOYOTAMAKITA, NERIMA-KU,  
 TOKYO 176-8539 JAPAN