

N21

**ENGEL**

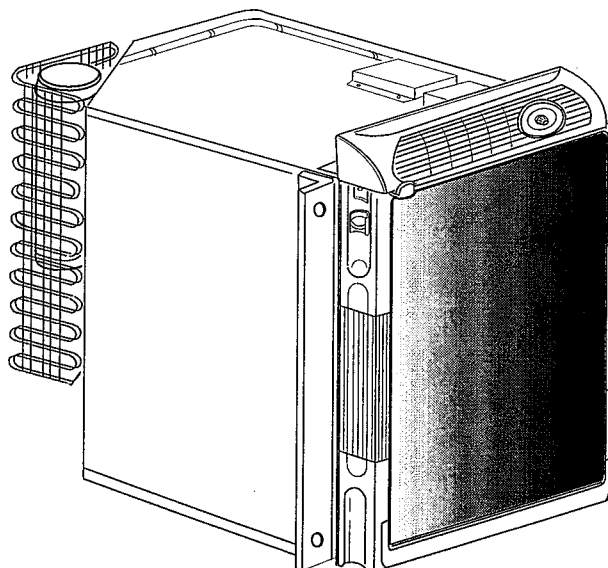
# PARTS LIST

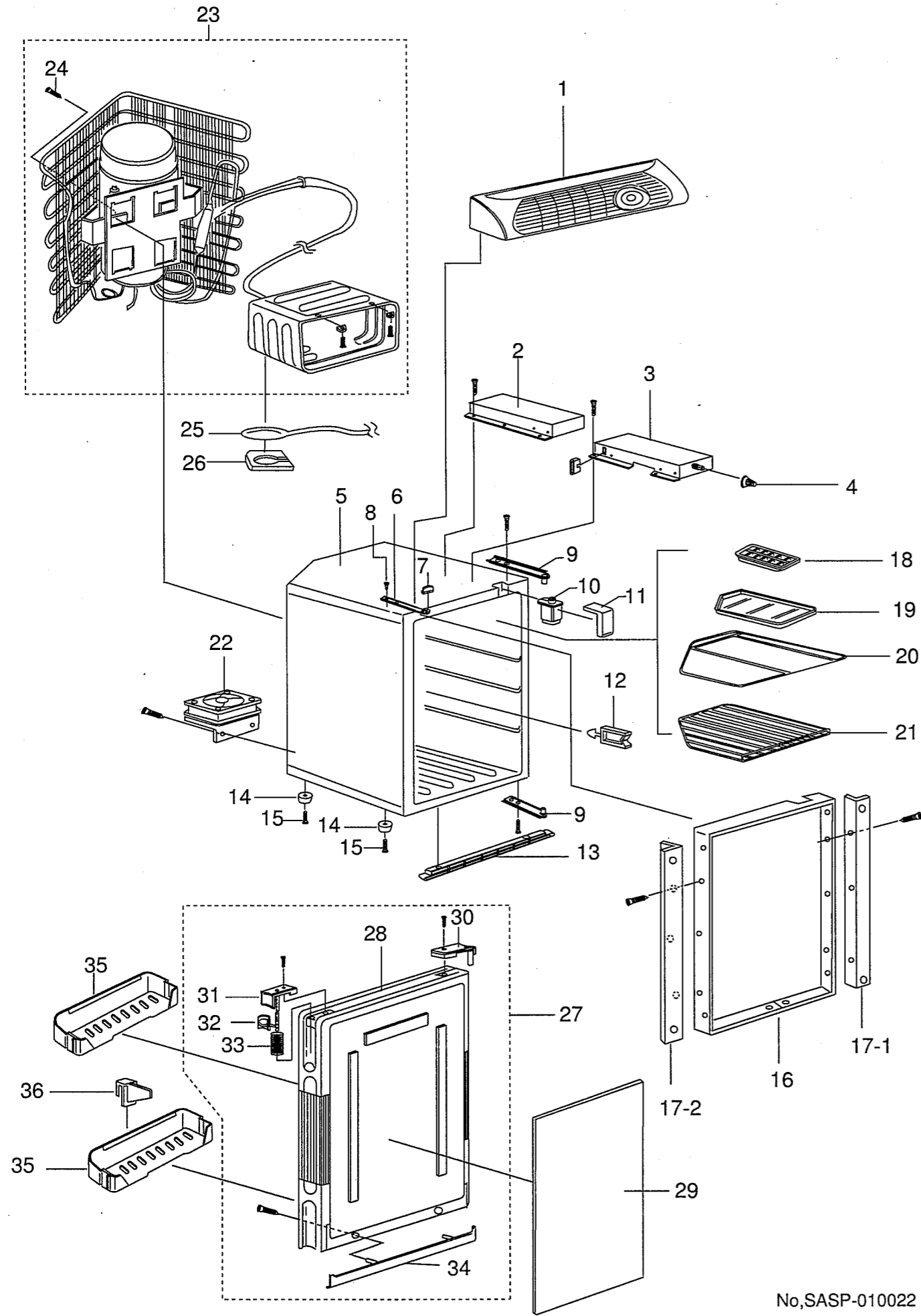
F. SERIES MODEL

SR70F-G4-GL

SR70F-G3-T

SR70F-G3-WH





No,SASP-010022

SR70F-G4-GL (0643 057 0T00)  
 SR70F-G3-T (0643 057 0S10)  
 SR70F-G3-WH (0643 057 0S20)

Illustration Number	Parts Number	Description	Quantity Per one set
1	4225 110 00X9	Cover Control	1
2-1	1690 005 20X9	Converter Assembly (G4-GL)	1
2-2	1690 005 10X9	Converter Assembly (G3-T) (G3-WH)	1
3	1630 107 10X9	Inverter Assembly	1
4	1602 201 00X9	Dial Assembly	1
5	1600 440 00X9	Cabinet Assembly	1
6	3002 064 00X9	Plate	1
7	4221 114 00X9	Cover	1
8	5010 427 00	Bolt	6
9	1609 326 10X9	Hinge	2
10	4160 272 00X9	Rubber Bushing	1
11	4040 063 00X9	"I" Bushing	1
12	6451 094 00	Holder	1
13	4226 015 00X9	Frame	1
14	4120 187 00X9	Cushion	4
15	8080 043 2050	Screw	4
16	3223 764 00X9	Cover Frame	1
17-1	3230 098 40X9	Frame (R)	1
17-2	3230 098 30X9	Frame (L)	1
18	1602 030 00	Ice Cube Tray	1
19	4330 038 00X9	Drainage Pan	1
20	5230 035 10X9	Shelf	1
21	5230 035 00X9	Shelf	1
22	1609 289 00X9	Fan Assembly	1
23-1	1610 113 20X9	Cooling Unit (G4-GL)	1
23-2	1610 113 11X9	Cooling Unit (G3-T) (G3-WH)	1
24	5000 136 00	Screw	4
25	6055 054 20X9	Evaporator Thermistor	1
26	4223 050 00X9	Thermistor Holder	1
27	1600 441 00X9	Door Assembly	1
28	1609 339 00X9	Frame Assembly	1
29-1	3023 133 30X9	"S" Plate (G4-GL)	1
29-2	3023 133 10X9	"S" Plate (G3-T)	1
29-3	3023 133 20X9	"S" Plate (G3-WH)	1
30	4221 113 00X9	Cover (R)	1
31	4221 112 00X9	Cover (L)	1
32	1602 221 00X9	Handle Assembly	1
33	5200 044 00X9	Spring	1
34	4226 021 00X9	Frame	1
35	4225 088 10X9	Door Pocket	2
36	4225 086 10X9	Partition	1

No,SASP-010022