



N21

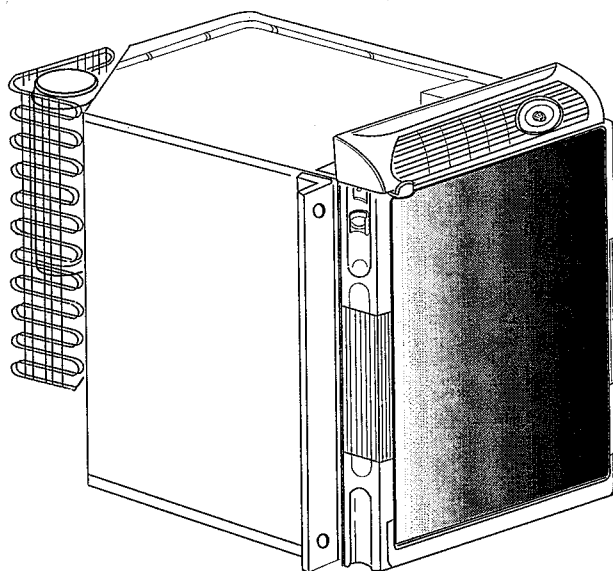
ENGEL

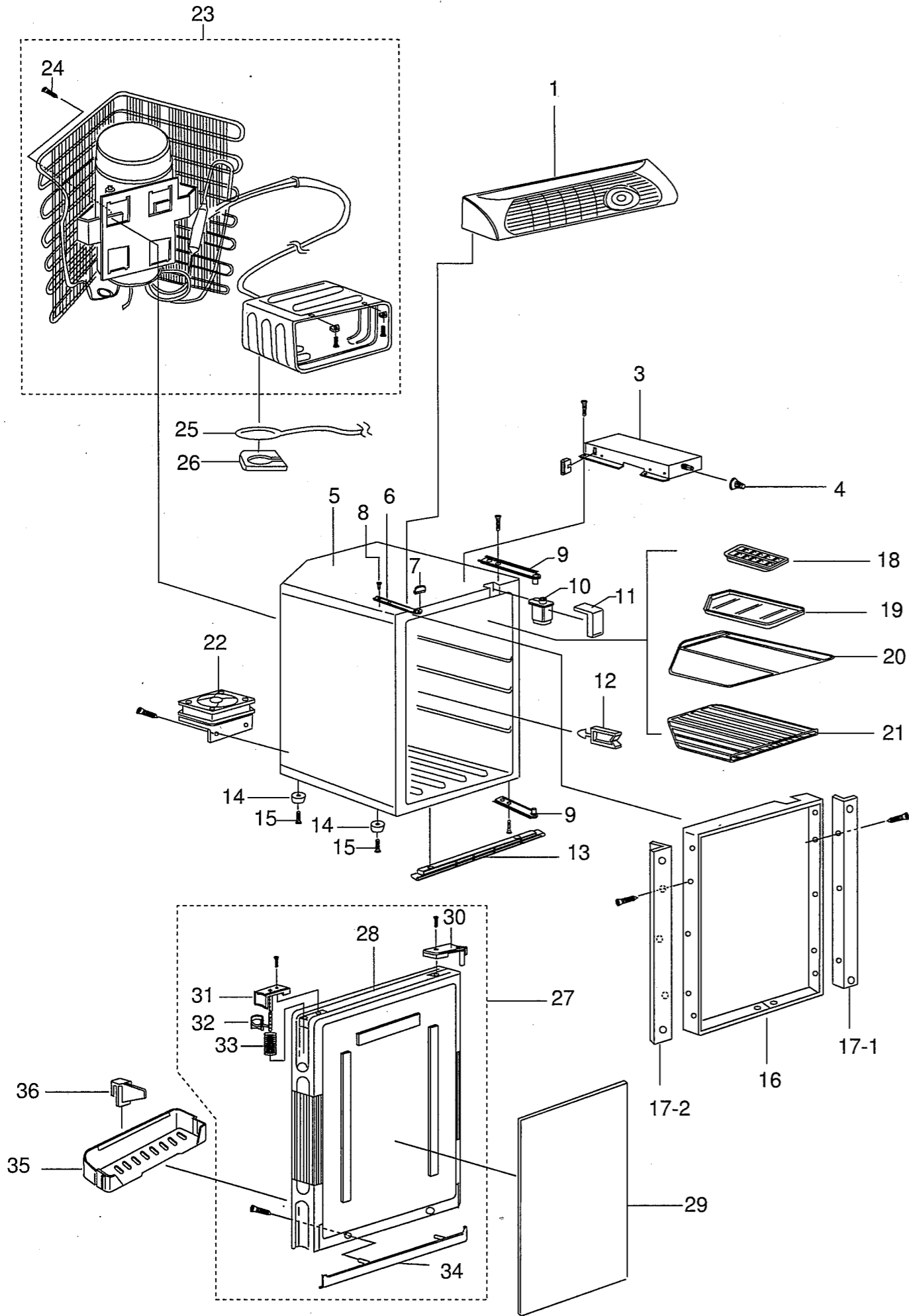
PARTS LIST

F SERIES MODEL

SB47F-E-WH

SB47F-E-T





No,SASP-010021

SB47F-E-WH (0643 040 0220)

SB47F-E-T (0643 040 0230)

Illustration Number	Parts Number	Description	Quantity Per one set
1	4225 111 00X9	Cover Control	1
2	—	—	—
3	1630 107 00X9	Inverter Assembly	1
4	1602 201 00X9	Dial Assembly	1
5	1600 443 00X9	Cabinet Assembly	1
6	3002 064 00X9	Plate	1
7	4221 114 00X9	Cover	1
8	5010 427 00	Bolt	6
9	1609 326 10X9	Hinge	2
10	4160 272 00X9	Rubber Bushing	1
11	4040 063 00X9	"I" Bushing	1
12	6451 094 00	Holder	1
13	4226 014 00X9	Frame	1
14	4120 187 00X9	Cushion	4
15	8080 043 2050	Screw	4
16	3223 765 00X9	Cover Frame	1
17-1	3230 098 20X9	Frame	1
17-2	3230 098 10X9	Frame	1
18	1602 030 00	Ice Cube Tray	1
19	4330 038 00X9	Drainage Pan	1
20	5230 036 10X9	Shelf	1
21	5230 036 00X9	Shelf	1
22	1609 289 00X9	Fan Assembly	1
23	1610 114 10X9	Cooling Unit(50Hz,HFC-134a)	1
24	5000 136 00	Screw	4
25	6055 054 20X9	Evaporator Thermistor	1
26	4223 050 00X9	Thermistor Holder	1
27	1600 444 00X9	Door Assembly	1
28	1609 344 00X9	Frame Assembly	1
29-1	3023 134 20X9	"S" Plate (SB47F-E-WH)	1
29-2	3023 134 10X9	"S" Plate (SB47F-E-T)	1
30	4221 113 00X9	Cover (R)	1
31	4221 112 00X9	Cover (L)	1
32	1602 221 00X9	Handle Assembly	1
33	5200 044 00X9	Spring	1
34	4226 020 00X9	Frame	1
35	4225 087 10X9	Door Pocket	1
36	4225 086 10X9	Partition	1

No,SASP-010021