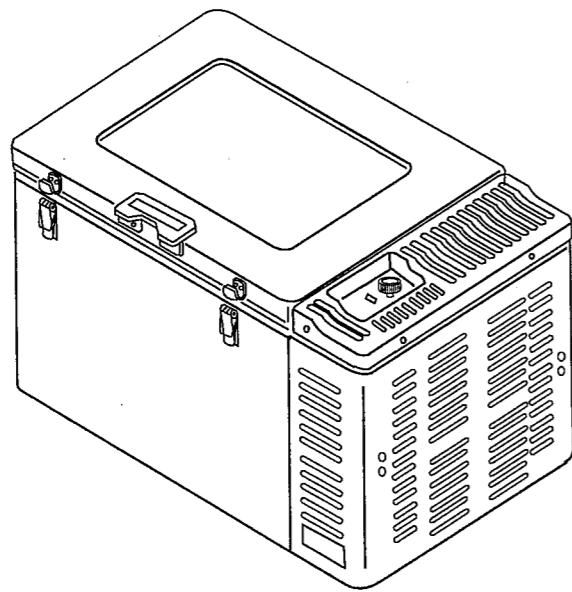




# PARTS LIST

MODEL  
MT60F-G3



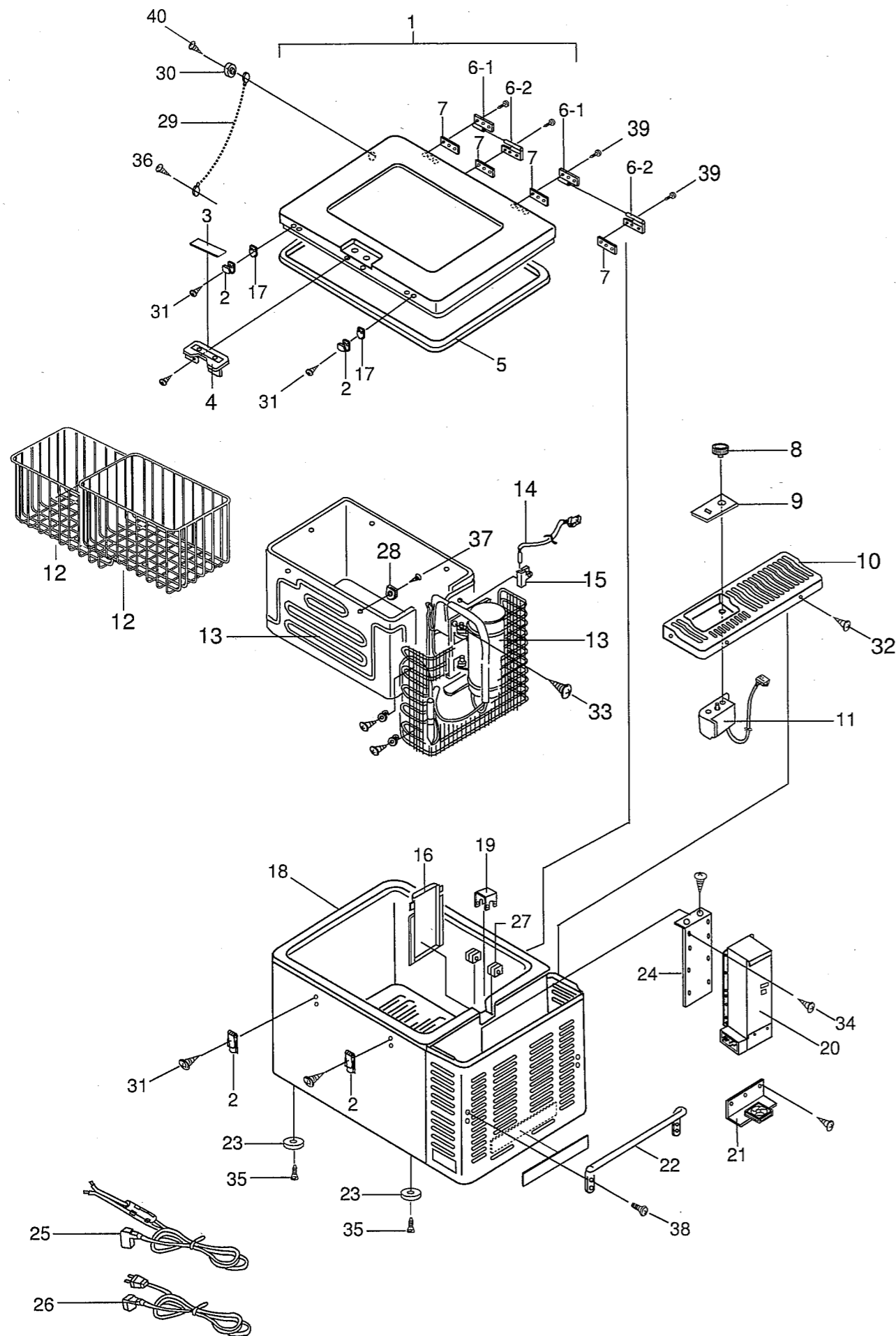


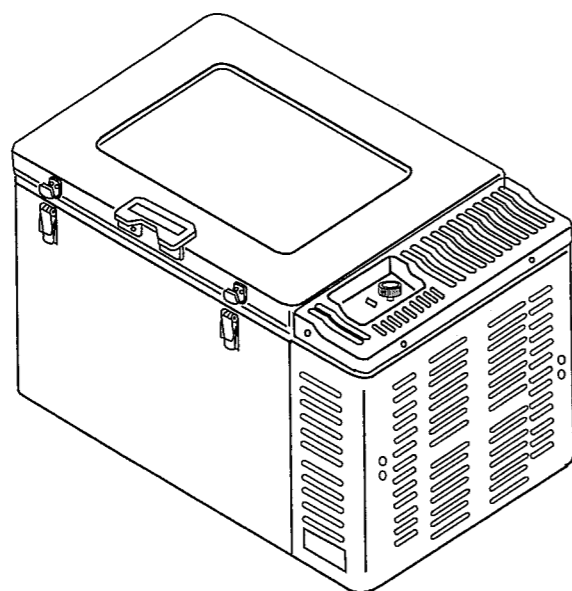
Illustration Number	Parts Number	Description	Quantity Per one unit	MIN. ORDER LOT
1	1600 048 20X9	Door Assembly	1	1
2	6260 008 00X9	Latch Assembly	2	2
3	5450 076 30X9	Mark	1	5
4	4225 004 01X0	Door Handle	1	1
5	4148 008 00X9	Gasket	1	1
6-1	3221 176 00X9	Hinge Assembly	2	2
6-2	1609 061 00X9	Hinge Assembly	2	2
7	4301 118 10X0	"I" Plate	4	4
8	1602 067 00X8	Dial Assembly	1	5
9	5450 261 35X0	Mark	1	5
10	1602 078 00X0	Motor Cover Assembly	1	1
11	1601 169 10X9	Temperature Control Assembly	1	1
12	5230 018 00X9	Basket	2	2
13	1610 120 00X9	Cooling Unit	1	1
14	6055 054 30X9	Evaporator Thermistor	1	1
15	4223 050 00X9	Holder	1	5
16	4221 034 01X9	Cover	1	1
17	4301 129 00X9	"I" Plate	2	5
18	1600 468 00X9	Cabinet Assembly	1	1
19	4330 009 10X9	Cover Pipe	1	1
20	1601 176 10X9	Power Supply	1	1
21	1609 306 40X9	Motor Fan Assy	1	1
22	3233 005 40X9	Handle	2	2
23	4120 139 00X9	Cushion	4	4
24	3223 093 21X0	Plate	1	1
25	1912 422 00X9	DC Cord Assembly	1	1
26	1912 407 00X9	AC Cord Assembly	1	1
27	4160 063 00X0	Bushing	2	2
28	4220 067 00X0	Holder	3	3
29	1609 063 00X0	Chain	1	1
30	3604 030 00X0	Holder	1	1

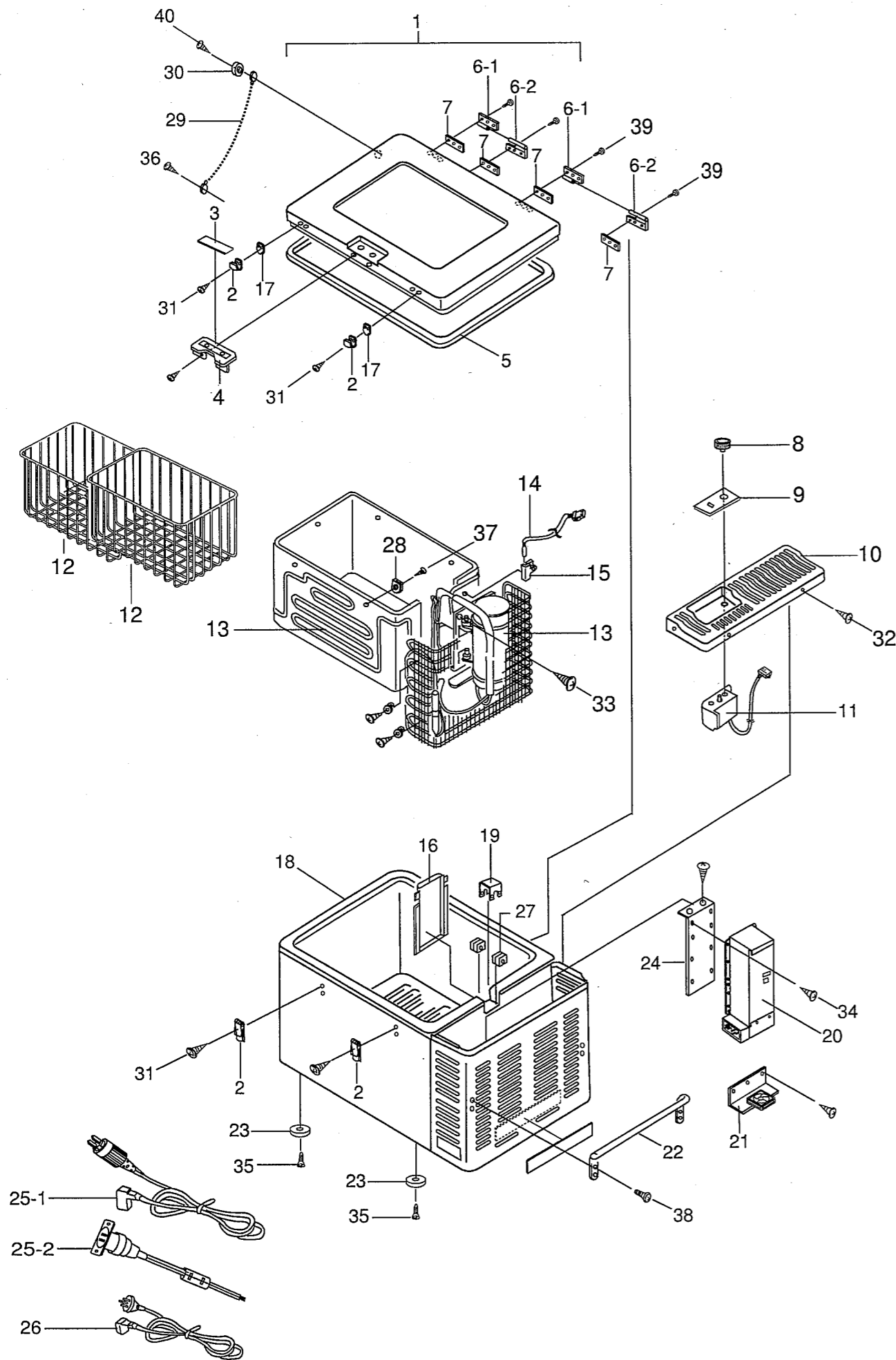
31	5008 048 00X0	M4×8	8	100
32	8083 044 1230	M4×12	4	100
33	8083 043 1210	M4×12	4	100
34	5008 043 0810	M4×8	2	100
35	8001 060 1410	M6×14	4	100
36	8083 044 1210	M4×12	8	100
37	8080 044 1620	M4×16	3	100
38	8050 040 1040	M4×10	4	100
39	8083 044 1220	M4×12	16	100
40	8080 044 1620	M4×16	1	100



# PARTS LIST

MODEL  
MT60F-G4





Model MT60F-G4 (0642 060 1T00)

Illustration Number	Parts Number	Description	Quantity Per one unit	MIN . ORDER LOT
1	1600 048 20X9	Door Assembly	1	1
2	6260 008 00X9	Latch Assembly	2	2
3	5450 076 30X9	Mark	1	5
4	4225 004 01X0	Door Handle	1	1
5	4148 008 00X9	Gasket	1	1
6-1	3221 176 00X9	Hinge Assembly	2	2
6-2	1609 061 00X9	Hinge Assembly	2	2
7	4301 118 10X0	"I" Plate	4	4
8	1602 067 00X8	Dial Assembly	1	5
9	5450 261 35X0	Mark	1	5
10	1602 078 00X0	Motor Cover Assembly	1	1
11	1601 169 10X9	Tempereture Control Assemby	1	1
12	5230 018 00X9	Basket	2	2
13	1610 120 00X9	Cooling Unit	1	1
14	6055 054 30X9	Evaporator Thermistor	1	1
15	4223 050 00X9	Holder	1	5
16	4221 034 01X9	Cover	1	1
17	4301 129 00X9	"I" Plate	2	5
18	1600 468 00X9	Cabinet Assembly	1	1
19	4330 009 10X9	Cover Pipe	1	1
20	1601 176 10X9	Power Supply	1	1
21	1609 306 40X9	Motor Fan Assy	1	1
22	3233 005 40X0	Handle	2	2
23	4120 139 00X9	Cushion	4	4
24	3223 093 21X0	Plate	1	1
25-1	1912 401 00X9	DC Cord Assembly	1	1
25-2	1912 185 10X9	DC Cord Assembly	1	1
26	1912 116 60X9	AC Cord Assembly	1	1
27	4160 063 00X0	Bushing	2	2
28	4220 067 00X0	Holder	3	3
29	1609 063 00X0	Chain	1	1
30	3604 030 00X0	Holder	1	1

31	5008 048 00X0	M4×8	8	100
32	8083 044 1230	M4×12	4	100
33	8083 043 1210	M4×12	4	100
34	5008 043 0810	M4×8	2	100
35	8001 060 1410	M6×14	4	100
36	8083 044 1210	M4×12	8	100
37	8080 044 1620	M4×16	3	100
38	8050 040 1040	M4×10	4	100
39	8083 044 1220	M4×12	16	100
40	8080 044 1620	M4×16	1	100