



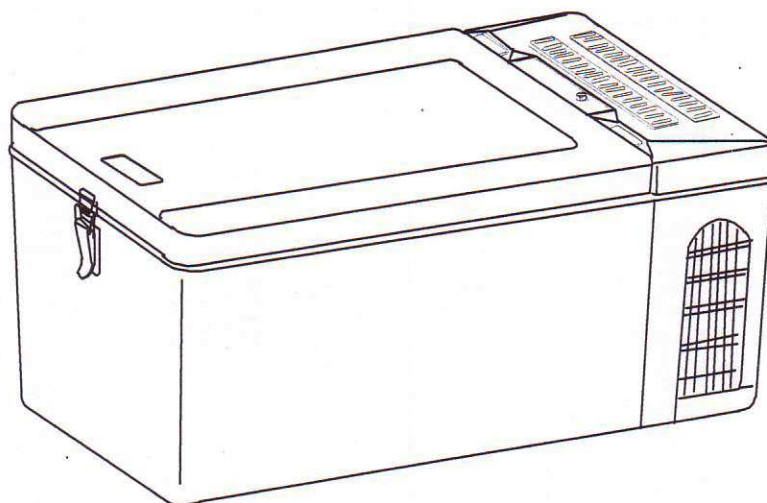
ENGEL

PARTS LIST

MODEL

MT17F-G4

MT27F-G4

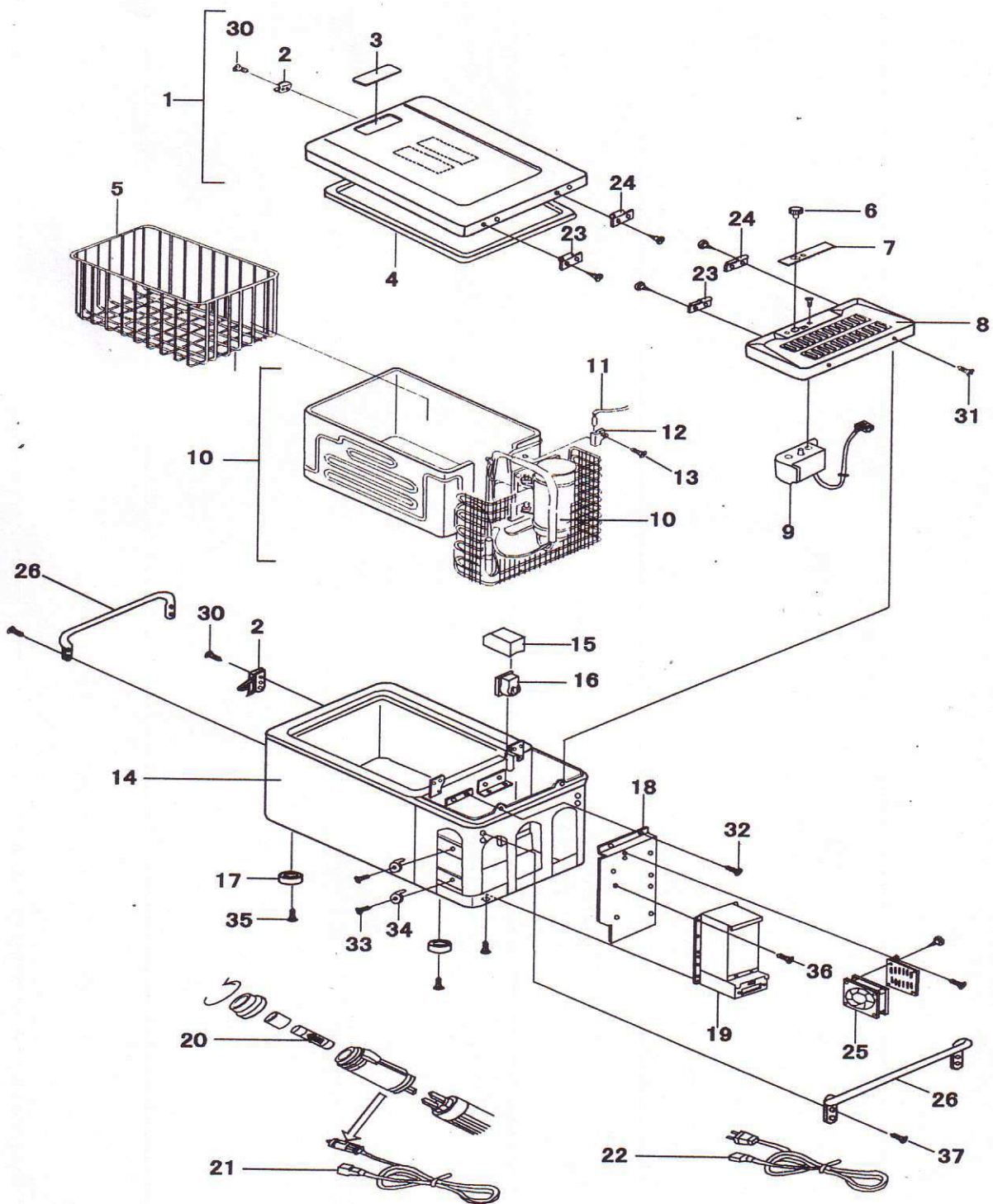


MT17F-G3 & MT27F-G3

Model MT17F-G3 (0642 015 1S00)
 MT27F-G3 (0642 025 1S00)

Illustration Number	Parts Number	Description	Quantity Per one unit	MIN . ORDER LOT	T
1	1600 542 00X9	Door Assembly	1	1	
2	6260 005 00X0	Latch Assembly	1	1	
3	5450 076 30X0	Mark	1	5	
4	4148 008 10X0	Gasket	1	1	
5-1	5230 010 10X0	Basket (MT17F)	1	1	
5-2	5230 048 00X0	Basket (MT27F)	1	1	
6	1602 067 00X0	Dial Assembly	1	5	
7	5450 423 10X0	Mark	1	5	
8	1602 052 11X0	Cover Assembly	1	1	
9	1601 169 10X9	Temperature Control Assembly	1	1	
10	1610 139 00X9	Cooling Unit (MT17F.MT27F)	1	1	
11	6055 054 10X9	Evaporator Thermistor	1	1	
12	4223 050 00X9	Holder	1	5	
13	8080 042 0620	Tapping Screw	1	1	
14-1	1600 544 10X0	Cabinet Assembly (MT15F)	1	1	
14-2	1600 546 10X0	Cabinet Assembly (MT27F)	1	1	
15	4221 010 00X0	Cover Pipe	1	1	
16	4390 155 00X0	Heat Insulator	1	1	
17	4120 058 00X0	Cushion	4	4	
18□1	1632 099 10X0	Plate (MT17F)	1	1	
18□2	1632 098 10X0	Plate (MT27F)	1	1	
19	1601 184 10X0	Power Supply (MT17F.MT27F)	1	1	
20	1603 002 00X8	Special Thermal Fuse	1	1	
21	1912 404 00X9	DC Cord Assembly	1	1	
22	1912 178 00x0	AC Cord Assembly	1	1	
23	1609 345 20X0	Hinge Assembly (set) (Pin Short)	1	1	
24	1609 345 00X0	Hinge Assembly (set) (Pin Long)	1	1	
25	6080 007 30X9	Motor Fan	1	1	
26	3233 012 00X9	Handel (Option)	2	2	
30	8085 034 1020	M3×10	2	100	
31	8080 043 1030	M4×10	6	100	
32	8085 043 1220	M4×12	4	100	
33	8071 043 1630	M4×16	2	100	
34	3220 053 10X0	Holder	2	100	
35	8070 043 1850	M4×18	4	100	
36	8084 043 0810	M4×8	4	100	
37	8050 050 1440	M4×14 (Option)	8	100	

MT17F-G3
MT27F-G3



Model MT17F-G3
MT27F-G3

(0642 015 1S00)
(0642 025 1S00)

Illustration Number	Parts Number
1	1600 542 00X9
2	6260 005 00X0
3	5450 076 30X0
4	4148 008 10X0
5-1	5230 010 10X0
5-2	5230 048 00X0
6	1602 067 00X0
7	5450 423 10X0
8	1602 052 11X0
9	1601 169 10X9
10	1610 139 00X9
11	6055 054 10X9
12	4223 050 00X9
13	8080 042 0620
14-1	1600 544 10X0
14-2	1600 546 10X0
15	4221 010 00X0
16	4390 155 00X0
17	4120 058 00X0
18□1	1632 099 10X0
18□2	1632 098 10X0
19	1601 184 10X0
20	1603 002 00X8
21	1912 404 00X9
22	1912 178 00X0
23	1609 345 20X0
24	1609 345 00X0
25	6080 007 30X9
26	3233 012 00X9

30	8085 034 1020
31	8080 043 1030
32	8085 043 1220
33	8071 043 1630
34	3220 053 10X0
35	8070 043 1850
36	8084 043 0810
37	8050 050 1440

Description	Quantity Per one unit	MIN . ORDER LOT
Door Assembly	1	1
Latch Assembly	1	1
Mark	1	5
Gasket	1	1
Basket (MT17F)	1	1
Basket (MT27F)	1	1
Dial Assembly	1	5
Mark	1	5
Cover Assembly	1	1
Temperature Control Assembly	1	1
Cooling Unit (MT17F.MT27F)	1	1
Evaporator Thermistor	1	1
Holder	1	5
Tapping Screw	1	1
Cabinet Assembly (MT15F)	1	1
Cabinet Assembly (MT27F)	1	1
Cover Pipe	1	1
Heat Insulator	1	1
Cushion	4	4
Plate (MT17F)	1	1
Plate (MT27F)	1	1
Power Supply (MT17F.MT27F)	1	1
Special Thermal Fuse	1	1
DC Cord Assembly	1	1
AC Cord Assembly	1	1
Hinge Assembly (set) (Pin Sho	1	1
Hinge Assembly (set) (Pin Lon	1	1
Motor Fan	1	1
Handel (Option)	2	2

M3x10	2	100
M4x10	6	100
M4x12	4	100
M4x16	2	100
Holder	2	100
M4x18	4	100
M4x8	4	100
M4x14 (Option)	8	100