

ENGEL

E SERIES MODELS

MRFT515E-G4

MT15E-G3

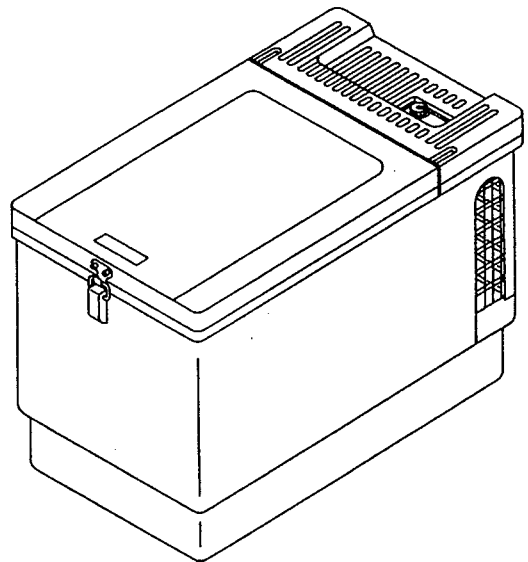
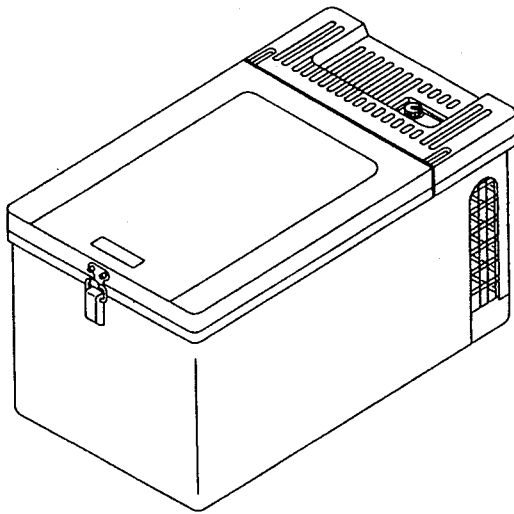
MRFT525E-G4

MT25E-G3

MT15E-G3-SA

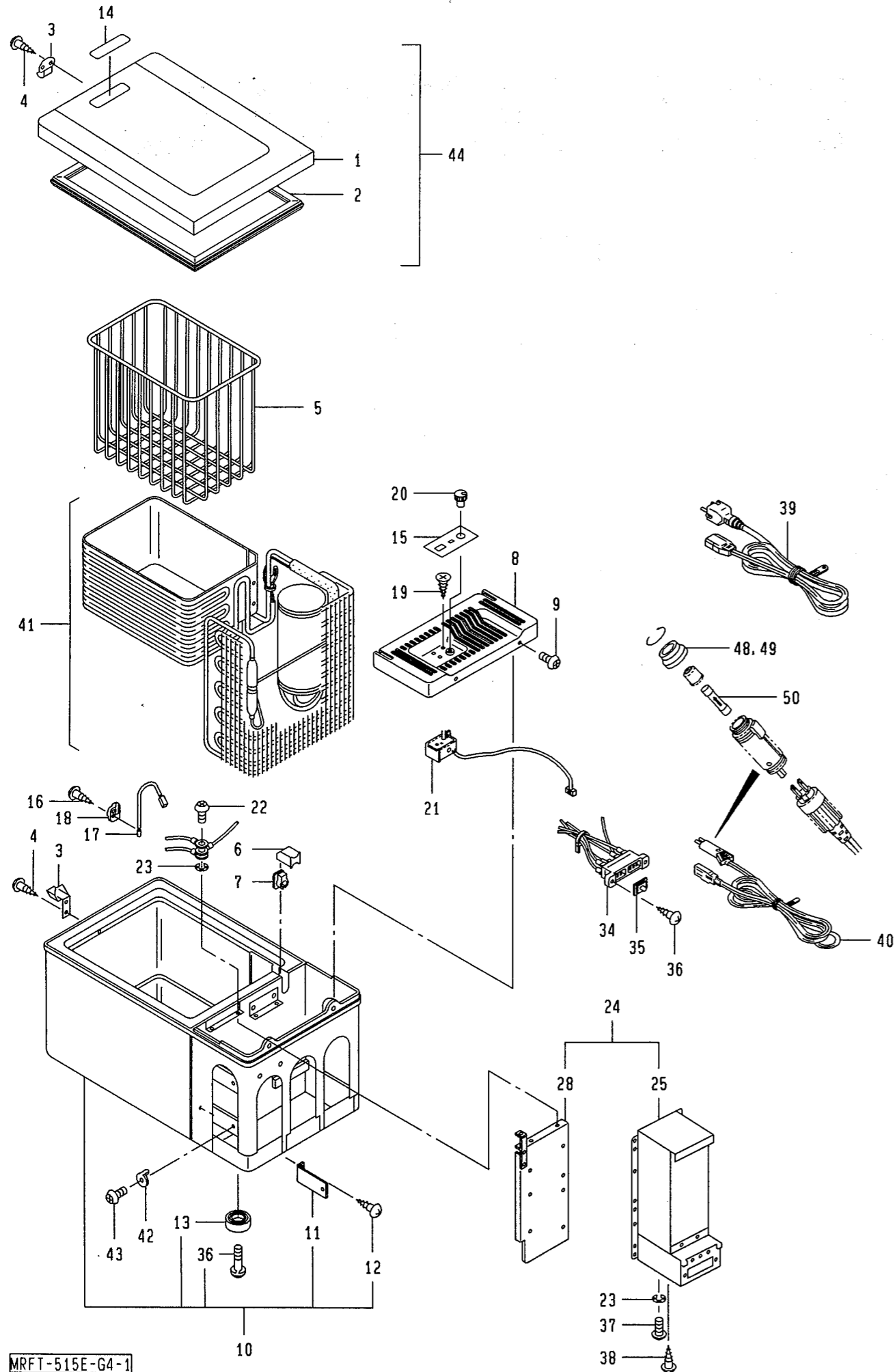
MT25E-G3-SA

PARTS LIST



SERVICE CODE : QP - 01

SAWAFUJI ELECTRIC CO., LTD.



MRFT-515E-G4-1

Illustration Number	Parts Number	Description	Quantity Per one set
①-1	1600 062 40	Door Assembly (with Gasket) (G4, SA)	1
①-2	1600 062 20	Door Assembly (with Gasket) (G3)	1
②	4148 008 10	Gasket	1
③	6260 005 00	Latch Assembly	4
④	8083 034 122	Tapping Screw	1
⑤-1	5230 010 10	Basket (15L)	1
⑤-2	5230 031 00	Basket (25L)	1
⑥	4221 010 00	Cover Pipe	1
⑦	4120 133 00	Bushing	1
⑧	3480 013 00	Cover Assembly	6
⑨	8000 040 083	Screw	1
⑩-1	1600 301 10	Cabinet Assembly (15L, G4, SA)	1
⑩-2	1600 301 00	Cabinet Assembly (G3)	1
⑩-3	1600 269 10	Cabinet Assembly (25L, G4, SA)	1
⑩-4	1600 269 00	Cabinet Assembly (G3)	1
⑪	3042 052 00	Support	2
⑫	8083 043 121	Tapping Screw	8
⑬-1	4120 057 00	Cushion (25L)	4
⑬-2	4120 005 00	Cushion (15L) W/SCREW # 8000040 1510	4
⑭	5450 076 30	ENGEL Mark	1
15	5450 261 12 × 9	Mark (Thermostat)	1
⑮	8080 042 062	Tapping Screw	1
17	6055 054 10 × 9	Evaporator Thermistor	1
⑰	4223 050 00	Holder	1
⑱	8081 044 121	Tapping Screw	2
20	1602 067 00	Dial Assembly	1
21	1601 144 00 × 9	Temperature Control Assembly	1
⑳	8000 040 121	Screw	1
㉑	8340 040 001	Toothed Lock Washer	8
24-1	1601 142 10 × 9	Power Supply (15L)	1
24-2	1601 143 10 × 9	Power Supply (25L)	1
25	1601 138 10 × 9	Power Supply	1
28-1	1632 098 00	Plate Assembly (25L)	1
28-2	1632 099 00	Plate Assembly (15L)	1
㉒	6451 074 00	Fastener	1
㉓	8084 043 081	Tapping Screw	7
㉔	1632 055 02	Terminal Block	1
㉕	4221 020 01	Cover	1
㉖	8085 034 101	Tapping Screw	2
㉗	5000 013 00	Screw	1
㉘	8070 043 101	Tapping Screw	3
㉙-1	1912 133 60	AC Cord Assembly (G4 model)	1
㉙-2	1912 178 00 × 9	AC Cord Assembly (G3, SA model)	1

○ : These parts are interchangeable with D series.

MRFT-515E-G4-1

Illustration Number	Parts Number	Description	Quantity Per one set
40-1	1912 388 00 × 9	DC Cord Assembly (G4, SA model)	1
40-2	1912 375 50 × 9	DC Cord Assembly (G3 model)	1
㉑	1610 079 30	Cooling Unit (HFC-134a)	1
㉒	3220 053 10	Holder	2
㉓	8071 043 163	Tapping Screw	2
㉔	1600 062 40 × 9	Door Complete	1
48	4229 015 00 × 0	Cap (DC Cord, JAPAN, AMERICA)	1
49	4229 015 10 × 0	Cap (DC Cord, EUROPE)	1
50	1603 002 00 × 9	Special Thermal Fuse	1

○ : These parts are interchangeable with D series.

MRFT-515E-G4-1

 **SAWAFUJI ELECTRIC CO., LTD.**

KYOEI BUILDING 6-15-14,
TOYOTAMAKITA, NERIMA-KU,
TOKYO 176-8539 JAPAN