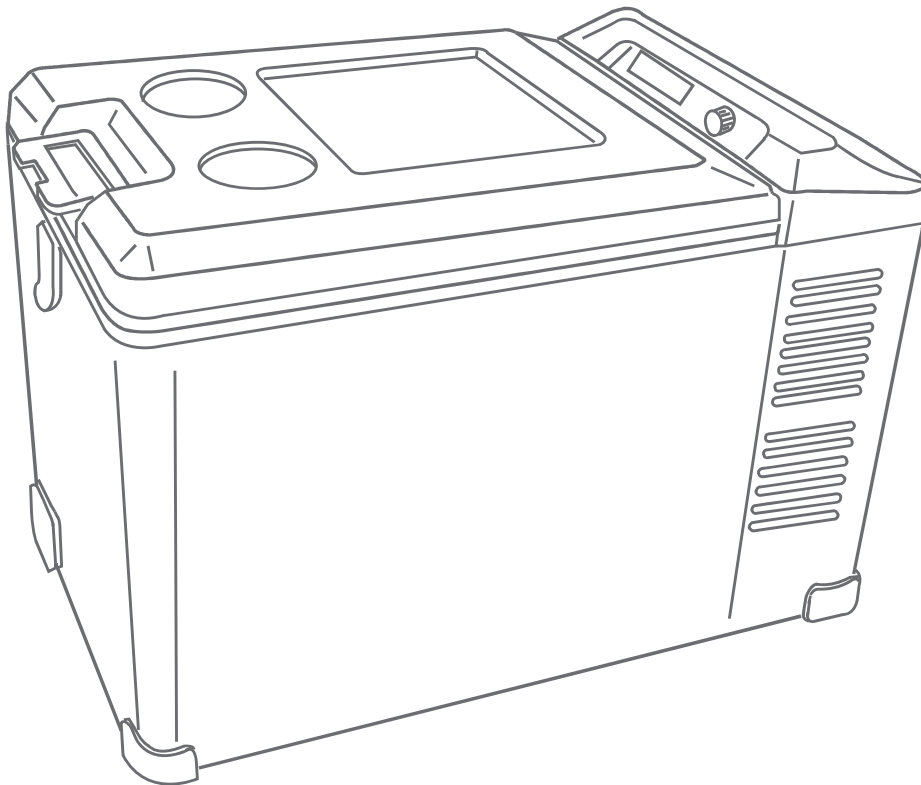




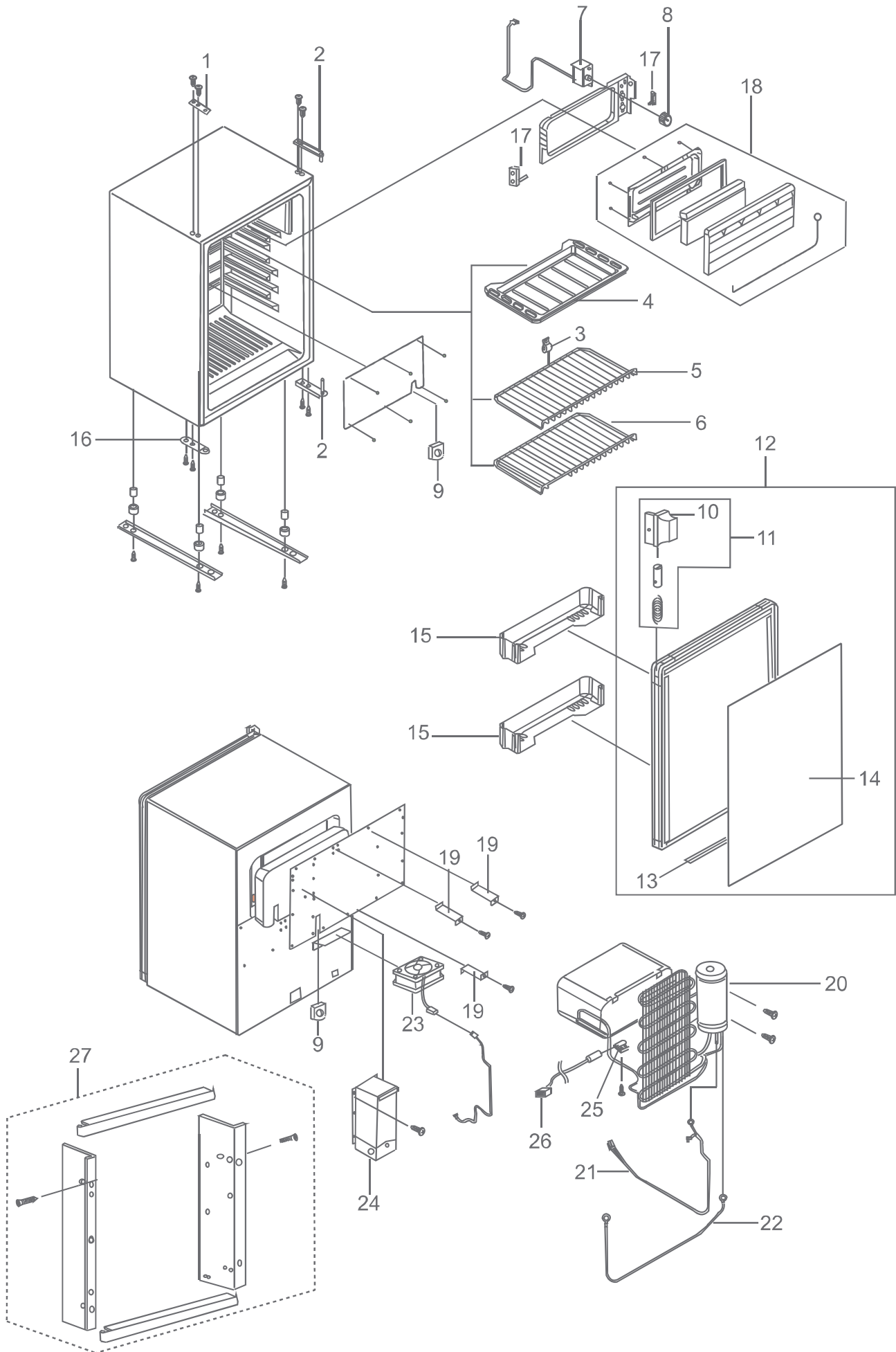
ENGEL

EU model PARTS LIST



SAWAFUJI ELECTRIC

SD90F



QTY SECTION	MODEL	MODEL CODE	PRODUCTION PERIOD	UNIT TYPE	REMARKS
A	SD90F-D-B	0643 090 2202	2014.07 ~	K3	FCM (Food Contact Materials)
B					
C					
D					

ITEM NO.	DESCRIPTION	ITEM CODE	QTY					QTY included per item code	REMARKS
			Used per fridge						
			A	B	C	D			
1	PLATE LATCH	3002 075 00X9	1					10	
2	HINGE ASSY	1609 326 00X9	2					1	
3	HOLDER	6451 152 00X9	1					100	
4	DRAINAGE, PAN	4330 005 20X9	1					5	
5	SHELF (Without Hatch)	5230 012 10X9	1					5	
6	SHELF (With Hatch)	5230 012 20X9	1					5	
7	CONTROL ASSY (Thermostat)	1601 182 20X9	1					1	
8	DIAL ASSY	1602 067 00X8	1					5	
9	RUBBER BUSHING	4160 063 10X9	2					1	
10	HANDLE	4225 141 02X9	1					5	
11	PIN & SPRING & HANDLE set	3600 296 00X9	1set					1set	
12	DOOR ASSY	1600 584 80X9	1					1	
13	FRAME (Black<)	4276 142 40X9	1					20	
14	S PLATE (Black<)	3023 117 10X9	1					1	
15	POCKET, DOOR	4225 089 00X9	2					5	
16	PLATE (Door Stp.)	3041 110 40X9	1					10	
17	HINGE ASSY (Inner)	1609 048 00X9	2					10	
18	INNER DOOR ASSY	1600 038 30X9	1					1	
19	HOLDER, CONDENSER	3211 059 00X9	3					10	
20	COOLING UNIT (K3)	1610 144 20X9	1					1	
21	COUPLER ASSY	1902 738 10X9	1					10	
22	CORD With TERMINAL	1921 166 13X9	1					10	
23	FAN MOTOR ASSY	1609 289 00X9	1					1	
24	POWER SUPPLY (K3)	1601 181 41X9	1					1	
25	HOLDER (Thermistor)	4223 050 20X9	1					1	Replace the thermistor and holder as a set.
26	THERMISTOR	6055 081 00X9	1					1	
27	FRAME KIT (Optional)	1699 020 00X0	1set					1 SET	