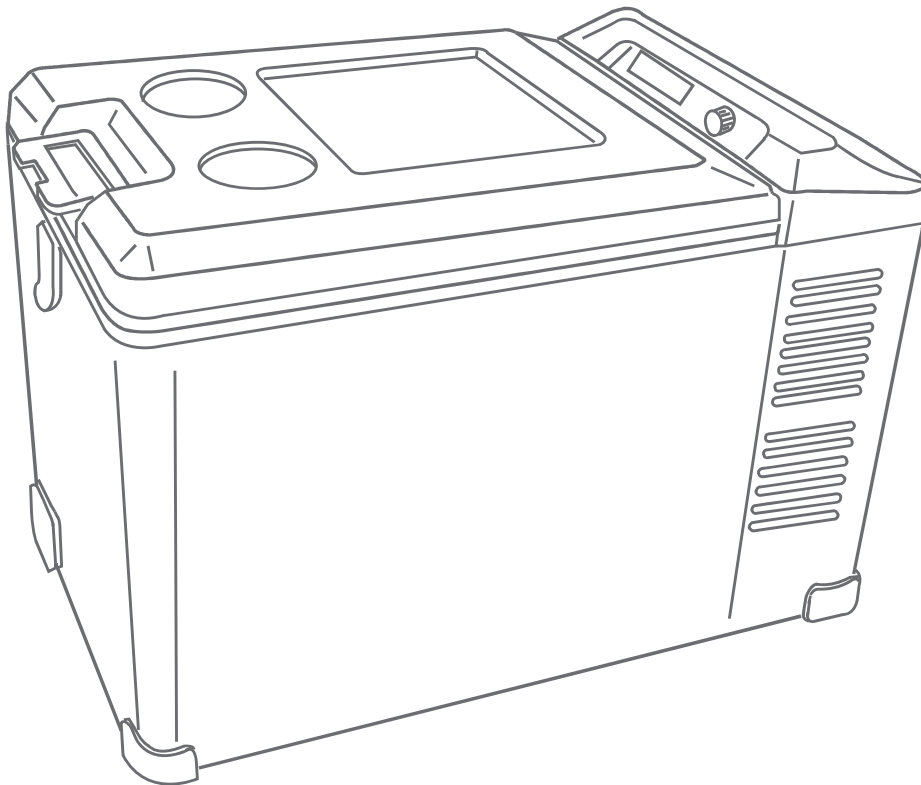




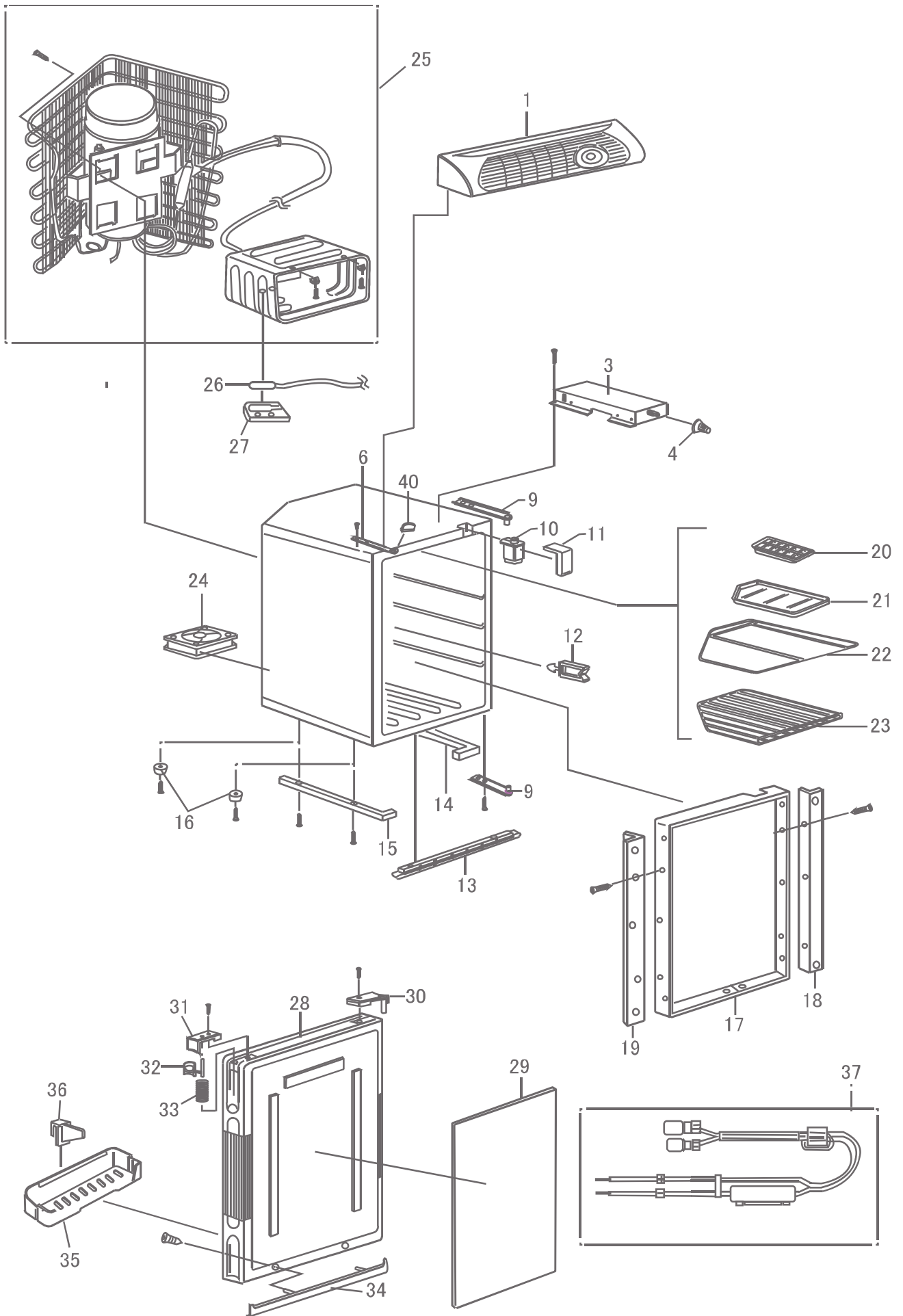
ENGEL

EU model PARTS LIST



SAWAFUJI ELECTRIC

SB47F / SB70F



QTY	SECTION	MODEL	MODEL CODE	PRODUCTION PERIOD	UNIT TYPE	REMARKS
A		SB47F-E-T	0643 040 0231	2013.02 ~	K3	FCM (Food Contact Materials)
B		SB70F	0643 057 0262	2014.06 ~		FCM (Food Contact Materials)

ITEM NO.	DESCRIPTION	ITEM CODE	QTY				QTY included per item code	REMARKS
			Used per fridge					
			A	B				
1	FRONT GRILLE	4225 111 00X9	1	-			1	
		4225 110 00X9	-	1			1	
3	INVERTER (K3)	1630 107 03X9	1	1			1	
4	TEMP CONTROL DIAL	1602 201 00X9	1	1			5	
6	PLATE (with defrost mode)	3002 064 00X9	1	-			1	
	PLATE	3002 064 10X0	-	1			1	
9	HINGE	1609 326 10X9	2	2			1	
10	RUBBER BUSHING	4160 272 00X9	1	1			5	
11	"I" BUSHING	4040 063 00X9	1	1			10	
12	HOLDER	6451 094 00X9	2	2			2	
13	FRAME	4226 014 00X9	1	-			1	
		4226 015 00X9	-	1			1	
14	SUPPORT	4274 011 00X9	-	1			1	
15	SUPPORT	4274 010 00X9	-	1			1	
16	RUBBER FOOT	4120 187 00X9	1set	-			1set	1set=RUBBER FOOT 4 pieces
17	COVER FRAME	3223 765 01X9	1	-			1	
		3223 764 01X9	-	1			1	
18	FRAME	3230 098 20X9	1	-			1	
		3230 098 41X9	-	1			1	
19	FRAME	3230 098 10X9	1	-			1	
		3230 098 31X9	-	1			1	
20	ICE CUBE TRAY	1602 030 00X9	1	1			1	
21	DRAIN PAN	4330 038 10X9	1	1			5	
22	SHELF	5230 036 10X9	1	-			5	
		5230 035 10X9	-	1			5	
23	SHELF	5230 036 00X9	1	-			5	
		5230 035 00X9	-	1			5	
24	FAN ASSEMBLY	1609 289 00X9	1	1			1	
25	COOLING UNIT (K3)	1610 114 20X9	1	-			1	
		1610 113 30X9	-	1			1	
26	EVAPORATOR THERMISTOR	6055 081 20X9	1	1			1	Replace the thermistor and holder as a set.
27	THERMISTOR HOLDER	4223 050 20X9	1	1			1	
28	FRAME ASSY	1609 344 30X9	1	-			1	
		1609 339 30X9	-	1			1	
29	S PLATE (black)	3023 134 00X9	opt	-			1	
		3023 133 00X9	-	1			1	
	S PLATE (teal)	3023 134 10X9	1	-			1	
		3023 134 20X9	opt	-			1	
S PLATE (light gray)	3023 133 30X9	-	opt			1		
30	COVER (R)	4221 113 00X9	1	1			5	
31	COVER (L)	4221 112 00X9	1	1			5	
32	HANDLE ASSEMBLY	1602 221 01X9	1	-			2	
		1602 221 11X9	-	1			2	TBA
33	SPRING	5200 044 00X9	1	1			5	
34	FRAME	4226 020 00X9	1	-			1	
		4226 021 00X9	-	1			1	
35	DOOR POCKET	4225 087 10X9	1	-			5	
		4225 088 10X9	-	2			5	
36	PARTITION	4225 086 10X9	1	1			5	
37	COUPLER ASSY	1902 852 00X0	1	1			1	
40	PROTECTIVE RUBBER COVER	4221 114 00X9	1	-			5	