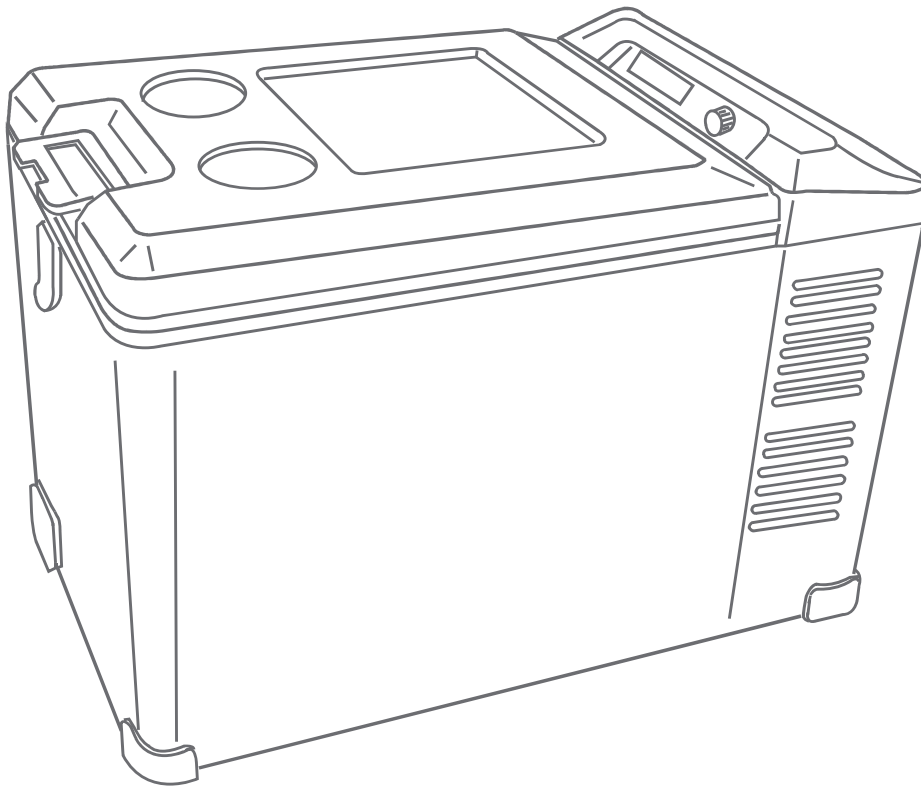




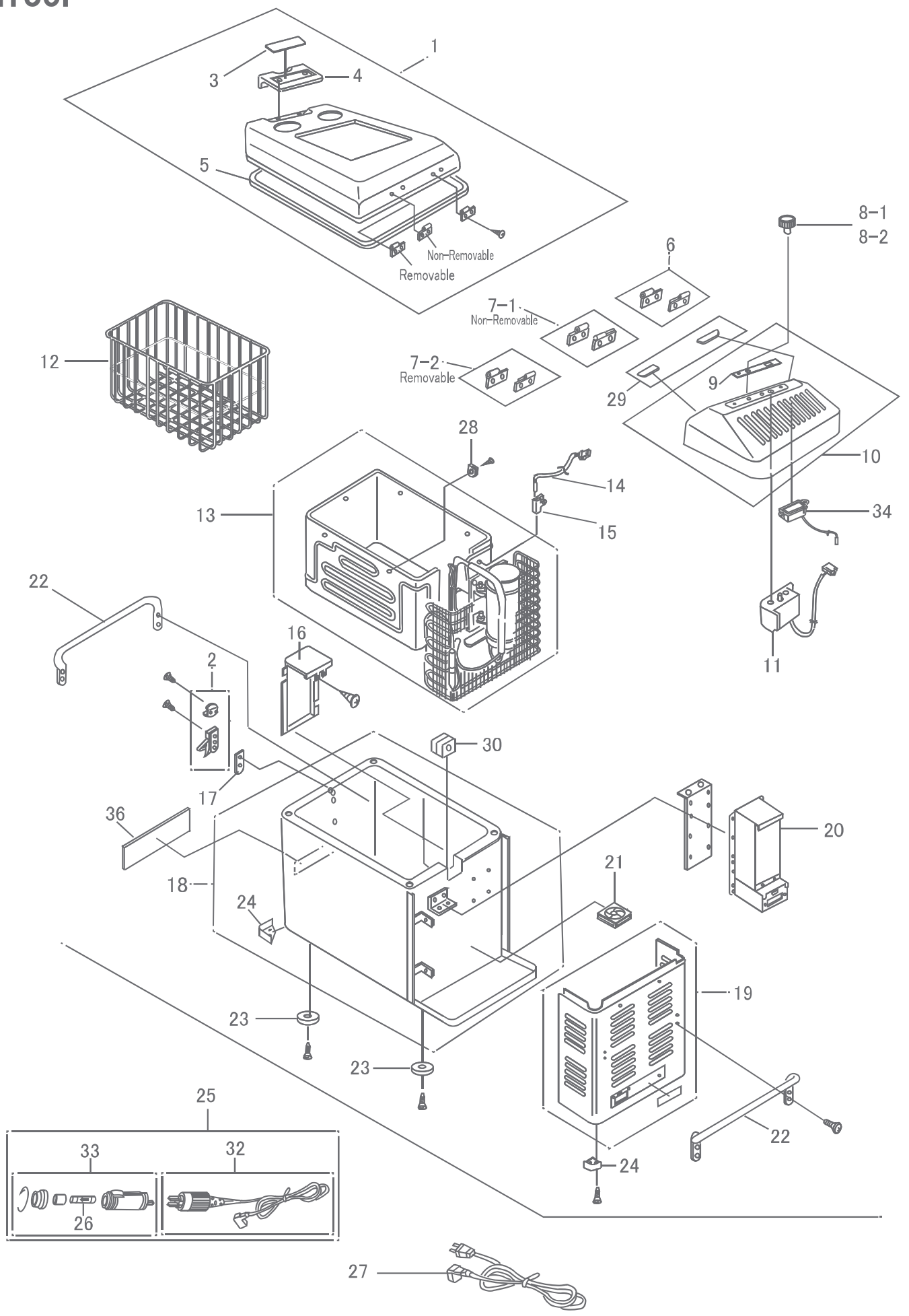
# ENGEL

## EU model PARTS LIST



# SAWAFUJI ELECTRIC

# MT35F



QTY	SECTION	MODEL	MODEL CODE	PRODUCTION PERIOD	UNIT TYPE	REMARKS
B		MT35F-G3-S	0642 032 0S51	2013.01 ~ 2019.10	K3	FCM (Food Contact Materials)
		MT35F-G3N-S	0642 032 0S52	2019.11 ~ 2020.09	K3	FCM (Food Contact Materials)
			0642 032 0S53	2020.10 ~	K3	FCM (Food Contact Materials)

ITEM NO.	DESCRIPTION	ITEM CODE	QTY			QTY included per item code	REMARKS
			Used per fridge				
			B				
1	DOOR ASSY ( removable ) DARK GRAY	1600 634 00X9	-			1	
	DOOR ASSY ( removable ) SILVER	1600 634 10X9	1			1	
2	LATCH ASSY	1609 356 00X9	1			1	
3	MARK	5450 821 00X9	1			5	
4	DOOR HANDLE	4225 004 01X9	1			1	
5	GASKET	4148 039 01X9	1			1	
6	HINGE ASSY with LONG PIN	1609 345 30X9	1			1	
7-1	HINGE ASSY with LONG PIN	1609 345 40X9	opt			1	for non-removable door
7-2	HINGE ASSY with SHORT PIN	1609 345 50X9	1			1	for removable door
8-1	DIAL KNOB ( standard )	1602 067 00X8	1			5	
8-2	DIAL KNOB ( with white indicator line )	1602 067 10X9	opt			5	
9	MARK	5450 822 00X9	-			5	
		5450 822 60X9	1			5	
10	COVER ASSY ( Dark Gray )	1602 203 00X9	-			1	
	COVER ASSY ( Dark Silver )	1602 280 00X9	1			1	
	COVER ASSY ( Dark Gray )	1602 280 20X9	-			1	
11	TEMPERATURE CONTROLLER	1601 169 00X9	-			1	
		1601 169 40X9	1			1	
12	BASKET	5230 037 10X9	1			1	
13	COOLING UNIT ( K3 )	1610 115 21X9	1			1	
14	EVAPORATOR THERMISTOR	6055 081 10X9	1			1	
15	HOLDER	4223 050 20X9	1			1	Replace the thermistor and holder as a set.
16	COVER PIPE	4330 039 00X9	1			1	
17	"I" PLATE	4301 130 00X9	1			5	
18	CABINET ASSY ( Light Gray )	1600 446 51X9	-			1	
	CABINET ASSY ( Silver )	1600 446 61X9	1			1	
19	CASE COVER ASSY ( Light Gray )	1609 346 00X9	-			1	
	CASE COVER ASSY ( Silver )	1609 346 30X9	1			1	
20	POWER SUPPLY (K3)	1601 222 00X9	1			1	
21	COOLING FAN	6080 007 40X9	1			1	
22	HANDLE ( Light Gray )	3233 010 00X9	-			2	1set= HANDLE 2 Pieces
	HANDLE ( Silver )	3233 010 30X9	1set			2	1set= HANDLE 2 Pieces
23	CUSHION	4120 139 00X9	1set			4	1set= CUSHION 4 Pieces
24	CORNER CUSHION	4274 009 30X9	1set			4	1set= CORNER CUSHION 4 Piece
25	DC CORD ASSY	1912 404 00X9	1			1	
26	SPECIAL THERMAL FUSE	1603 002 00X9	1			1	
27	AC CORD ASSY	1912 407 00X9	1			1	
29	CUSHION ( Rx1 & Lx1 as 1 set )	4120 191 00X9	1set			5 sets	4120 191 00X9= 5sets(Rx5 & Lx5)
30	RUBBER BUSHING	4160 063 10X9	1			1	
32	DC CORD without No. 33	1912 401 00X9	1			1	
33	PLUG ASSY	1602 121 00X9	1			1	
34	LCD DISPLAY	6240 005 40X9	1			1	
36	ENGEL STICKER	5450 820 00X9	-			5	
		5450 820 50X9	1			5	