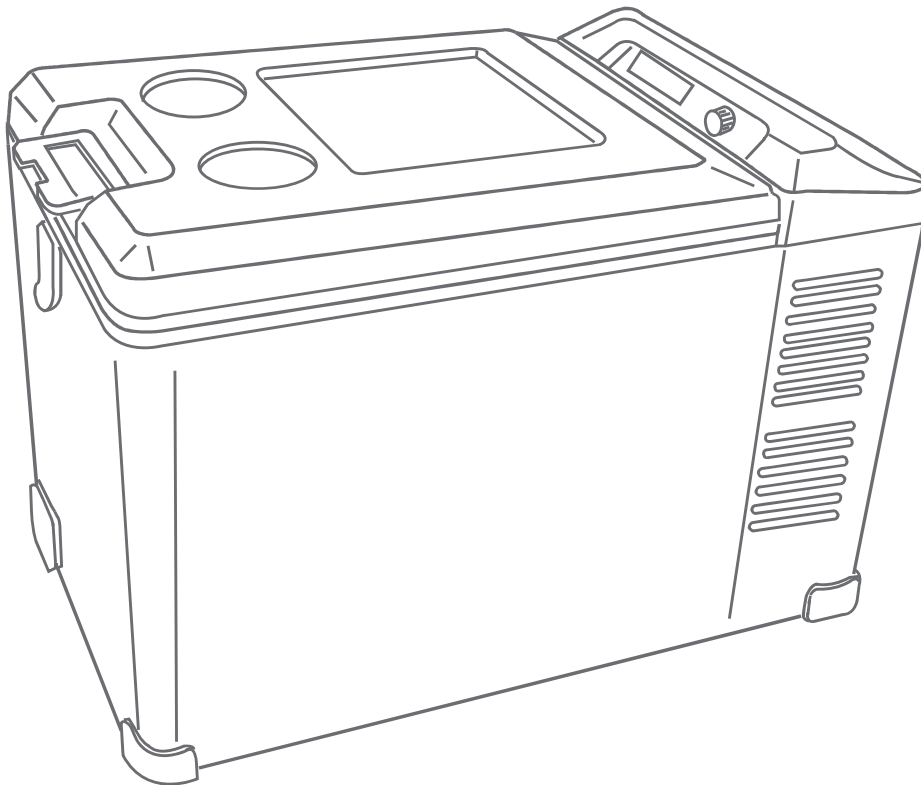




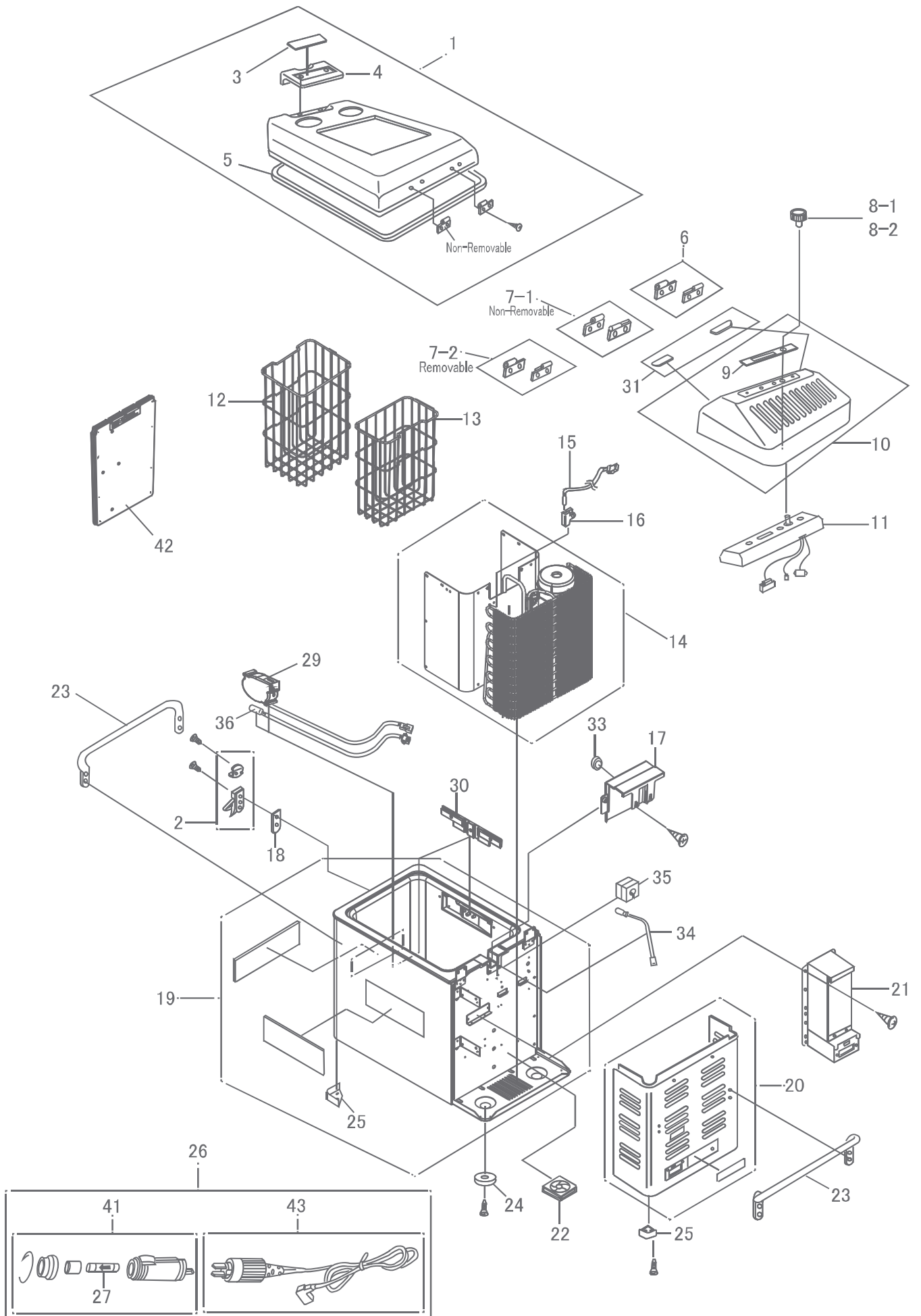
**ENGEL**

# EU model PARTS LIST



**SAWAFUJI ELECTRIC**

# MD45F-CD-P



QTY SECTION	MODEL	MODEL CODE	PRODUCTION PERIOD	UNIT TYPE	REMARKS
A	MD45F-CD-P	0642 042 1200	2017.06 ~	K3	FCM (Food Contact Materials)

ITEM NO.	DESCRIPTION	ITEM CODE	QTY		QTY included per item code	REMARKS
			Used per fridge			
			A			
1	DOOR ASSY ( non-removable ) FINE GOLD	1600 448 70X7	1		1	
2	LATCH ASSY	1609 356 10X9	1		1	
3	MARK	5450 821 00X9	1		5	
4	DOOR HANDLE	4225 004 01X9	1		1	
5	GASKET	4148 039 01X9	1		1	
6	HINGE ASSY with LONG PIN	1609 345 30X9	1		1	
7-1	HINGE ASSY with LONG PIN	1609 345 40X9	1		1	for non-removable door
7-2	HINGE ASSY with SHORT PIN	1609 345 50X9	1		1	for removable door
8-1	DIAL KNOB ( standard )	1602 067 00X8	1		5	
8-2	DIAL KNOB ( with white indicator line )	1602 067 10X9	opt		5	
9	MARK	5450 822 90X9	1		5	
10	COVER ASSY ( Fine Gold )	1602 280 50X9	1		1	Include No.9
11	TEMPERATURE CONTROLLER	1601 215 12X9	1		1	Include No.9
12	BASKET A ( Large )	5230 057 00X9	1		1	
13	BASKET B ( Small )	5230 058 00X9	1		1	
14	COOLING UNIT ( K3 )	1610 148 00X9	1		1	
15	EVAPORATOR THERMISTOR	6055 081 10X9	1		1	Replace the thermistor and holder as a set.
16	HOLDER	4223 050 20X9	1		1	
17	COVER PIPE	4330 039 20X9	1		1	
18	"I" PLATE	4301 130 00X9	1		5	
19	CABINET ASSY ( Fine Gold )	1600 447 71X9	1		1	FCM (Food Contact Materials)
20	CASE COVER ASSY ( Fine Gold )	1609 347 40X9	1		1	
21	POWER SUPPLY ( K3 )	1601 168 31X9	1		1	
22	FAN MOTOR ASSY ( Cooling Fan )	1609 289 10X9	1		1	
23	HANDLE ( Fine Gold )	3233 010 40X9	1 set		2	1set= HANDLE 2 Pieces
24	CUSHION	4120 139 00X9	1 set		4	1set= CUSHION 4 Pieces
25	CORNER CUSHION	4274 009 30X9	1 set		4	1set= CORNER CUSHION 4 Piece
26	DC CORD ASSY	1912 404 00X9	1		1	
27	SPECIAL THERMAL FUSE	1603 002 00X9	1		1	
29	FAN MOTOR ( Blower Fan )	6080 031 01X9	1		1	
30	HOLDER	4223 088 00X9	2		1	
31	CUSHION ( Rx1 & Lx1 as 1 set )	4120 191 00X9	1 set		5 sets	4120 191 00X9= 5sets(Rx5 & Lx5)
33	CAP	4101 167 00X9	1		1	
34	DIODE ASSY	1609 484 00X9	1		1	
35	BUSHING	4160 063 10X9	1		1	
36	INTERNAL FAN THERMISTOR	6055 081 60X9	1		1	
41	PLUG ASSEMBLY	1602 121 00X9	1		1	
42	DIVIDER	1602 284 00X9	1		1	
43	DC CORDC without PLUG ASSEMBLY	1912 401 00X9	1		1	